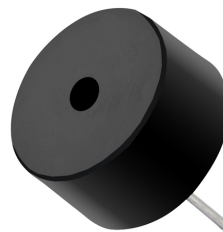
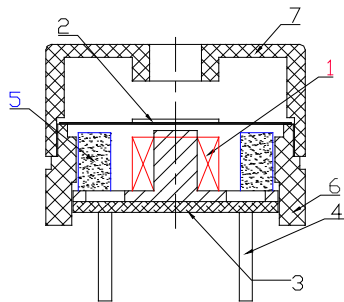
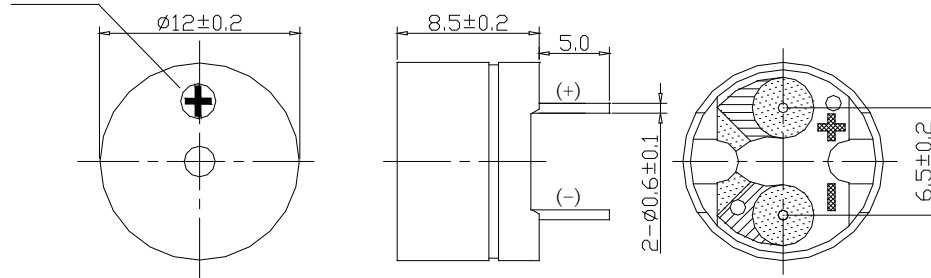


SGNU-UGC12G		
ITEM	UNIT	SPECIFICATION
Dimensions	mm	$\phi 12 \times 8.5$
Rated Voltage (Square Wave)	V	1.5
Operating Voltage	V	1-3
*Rated Current (Max)	mA	30
*Min Sound Output at 10cm	dB	85
*Resonant Frequency	Hz	2.048
Coil Resistance	Ω	16 ± 4.5
Operating Temperature	$^{\circ}\text{C}$	$-30 \sim +70$
Storage Temperature	$^{\circ}\text{C}$	$-40 \sim +85$
Weight	g	2
Housing Material		NORYL
QTY per Tape / Reel (Blister Gurte)	Pcs	

*Value Applying at Rated Voltage (resonant frequency , 1/2 duty , square wave)



盖带 “+”



Unless otherwise specified: Tolerance : ± 0.5 (Unit: mm)