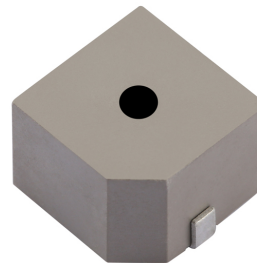
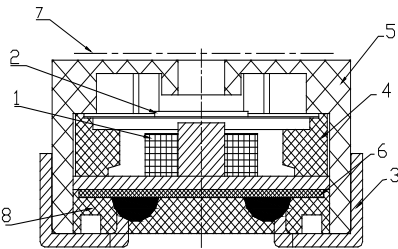
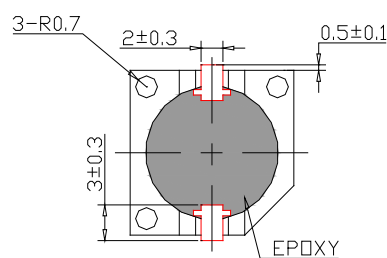
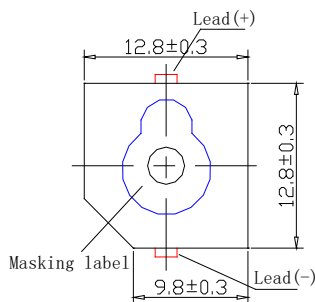
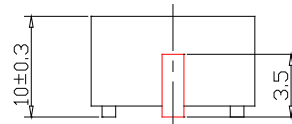
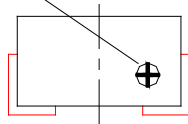


SGNU-UCTA		
ITEM	UNIT	SPECIFICATION
Dimensions	mm	12.8*12.8*10
Rated Voltage (Square Wave)	V	5
Operating Voltage	V	4-8
*Rated Current (Max)	mA	40
*Min Sound Output at 10cm	dB	85
*Resonant Frequency	Hz	2.400
Coil Resistance	Ω	47 \pm 5
Operating Temperature	$^{\circ}$ C	-40~+85
Storage Temperature	$^{\circ}$ C	-40~+85
Weight	g	2
Housing Material		PPS
Lead Pin Material		Brass
QTY per Tape / Reel (Blister Gurte)		320

*Value Applying at Rated Voltage (resonant frequency , 1/2 duty , square wave)



侧激光刻字: ⊕



Unless otherwise specified: Tolerance : \pm 0.5 (Unit: mm)