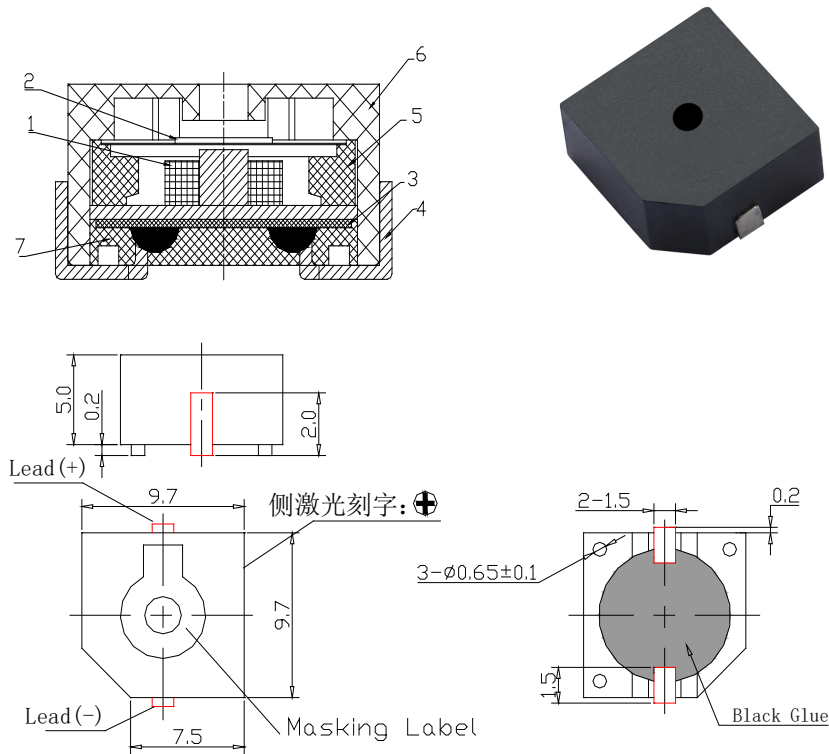


SGNU-UCT1005AXIC		
ITEM	UNIT	SPECIFICATION
Dimensions	mm	9.7 x 9.7 x 5
Rated Voltage (Square Wave)	VDC	5
Operating Voltage	VDC	4-7
*Rated Current (Max)	mA	30
*Min Sound Output at 10cm	dB	85
*Resonant Frequency	Hz	2700±100
Operating Temperature	°C	-40~+85
Storage Temperature	°C	-40~+85
Weight	g	1.5
Housing Material		LCP
Lead Pin Material		Red Copper (DSn)
QTY per Tape / Reel (Blister Gurte)	pcs	750

* Value Applying at Rated Voltage (VDC)



Unless otherwise specified: Tolerance :± 0.5 (Unit: mm)