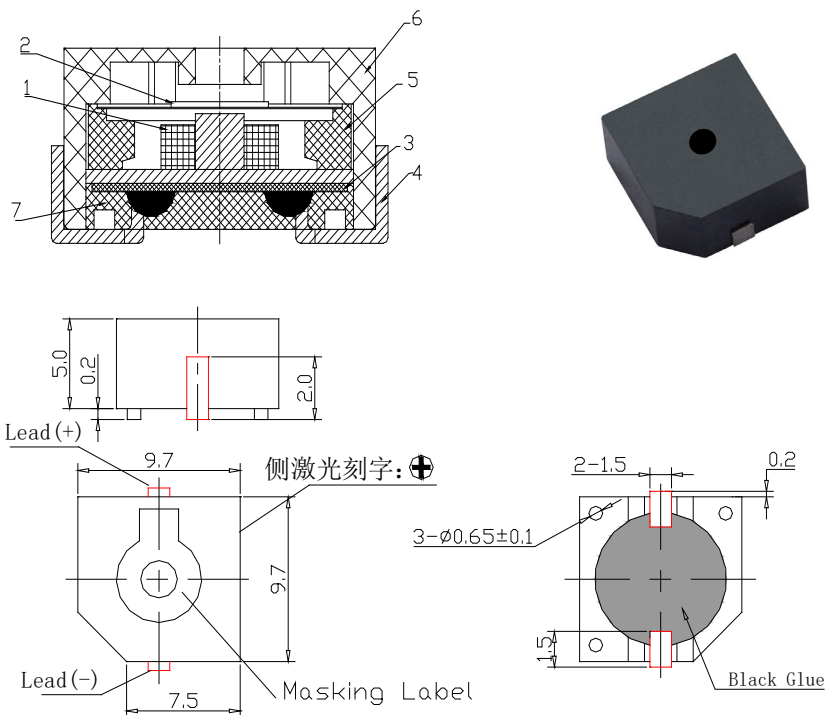


SGNU-UCT1003AXIC		
ITEM	UNIT	SPECIFICATION
Dimensions	mm	9.7 x 9.7 x 5
Rated Voltage (Square Wave)	VDC	3
Operating Voltage	VDC	2-5
*Rated Current (Max)	mA	30
*Min Sound Output at 10cm	dB	83
*Resonant Frequency	Hz	2.700 ± 100
Operating Temperature	°C	-40 ~ +85
Storage Temperature	°C	-40 ~ +85
Weight	g	1,5
Housing Material		LCP
Lead Pin Material		Red Copper (DSn)
QTY per Tape / Reel (Blister Gurte)	pcs	750

*Value Applying at Rated Voltage (VDC)



Unless otherwise specified: Tolerance: ± 0.5 (Unit: mm)