

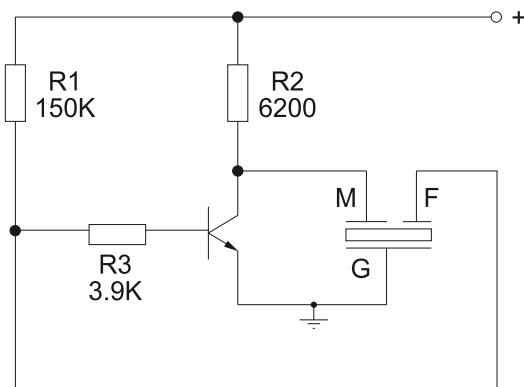
Self Drive Piezo Transducer SGBD-92PZ24380



Electrical Specifications

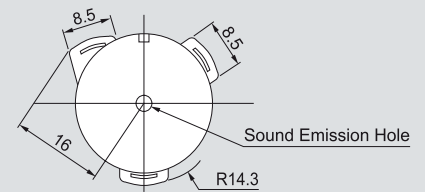
Model	92PZ24380	
Operating Voltage	(VDC)	3 ~ 18
Rated Voltage	(VDC)	12
Max. Rated Current	(mA)	15
Min. Sound Output	(dBA)	90 at 10cm
Resonant Frequency	(Hz)	3800 ± 500
Operating Temperature	(°C)	-20 ~ +70
Weight	(g)	4.5

Reference Circuit

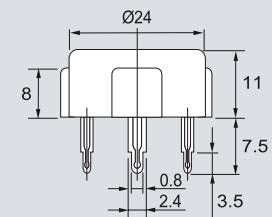


Dimensions

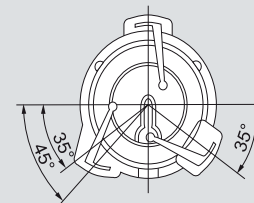
Top View



Side View



Bottom View



all dimensions are in mm