

## Self Drive Piezo Transducer

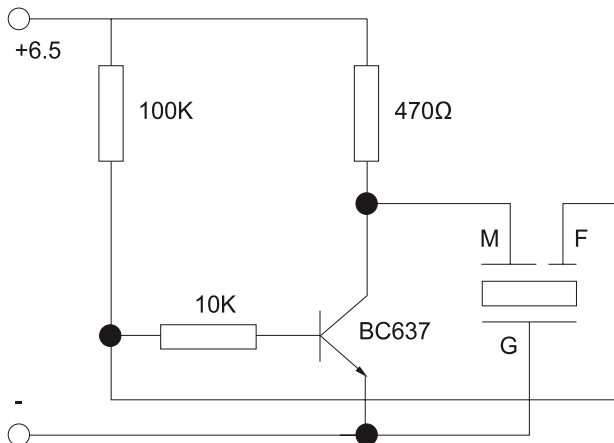
### SGBD-76PZ25680



#### Electrical Specifications

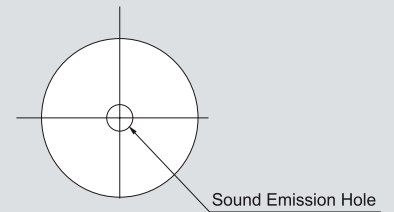
Model	76PZ25680	
Operating Voltage	(VDC)	3 ~ 24
Rated Voltage	(VDC)	12
Max. Rated Current	(mA)	20
Min. Sound Output	(dBA)	90 at 10cm
Resonant Frequency	(Hz)	6800 ± 500
Operating Temperature	(°C)	-20 ~ +70
Weight	(g)	2.5

#### Reference Circuit

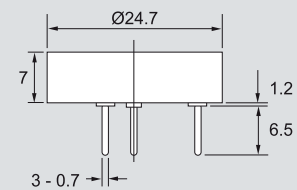


#### Dimensions

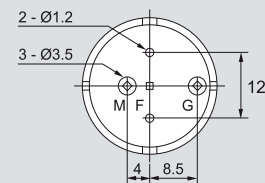
##### Top View



##### Side View



##### Bottom View



all dimensions are in mm