

## Self Drive Piezo Transducer

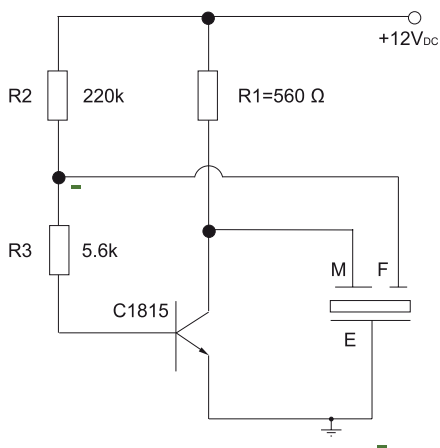
### SGBD-75PZ23350



### Electrical Specifications

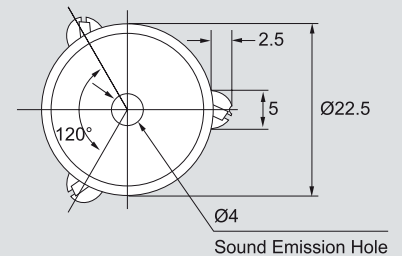
Model	75PZ23350	
Operating Voltage	(VDC)	3 ~ 18
Rated Voltage	(VDC)	12
Max. Rated Current	(mA)	15
Min. Sound Output	(dBA)	80 at 30cm
Resonant Frequency	(Hz)	3500 ± 500
Operating Temperature	(°C)	-20 ~ +60
Weight	(g)	1.7

### Reference Circuit

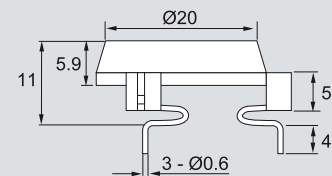


### Dimensions

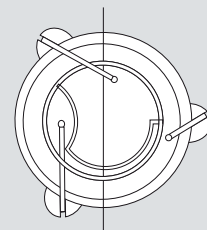
#### Top View



#### Side View



#### Bottom View



all dimensions are in mm