

Self Drive Piezo Transducer

SGBD-148PZ42280

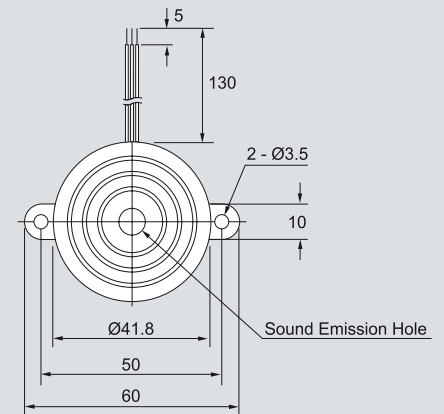


Electrical Specifications

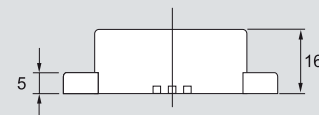
Model		148PZ42280
Operating Voltage	(VDC)	3 ~ 24
Rated Voltage	(VDC)	12
Max. Rated Current	(mA)	8
Min. Sound Output	(dBA)	85 at 30cm
Resonant Frequency	(Hz)	2800 ± 500
Operating Temperature	(°C)	-20 ~ +60
Weight	(g)	10

Dimensions

Top View



Side View



all dimensions are in mm

Reference Circuit

