

Self Drive Piezo Transducer

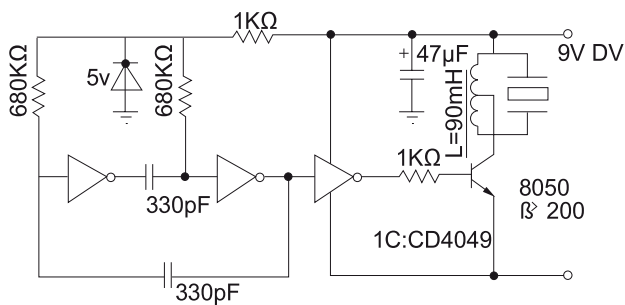
SGBD-102PZ30340



Electrical Specifications

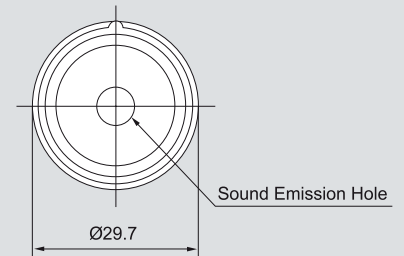
Model	102PZ30340	
Operating Voltage	(VDC)	3 ~ 28
Rated Voltage	(VDC)	9
Max. Rated Current	(mA)	180
Min. Sound Output	(dBA)	100 at 30cm
Resonant Frequency	(Hz)	3400 ± 500
Operating Temperature	(°C)	-20 ~ +60
Weight	(g)	8

Reference Circuit

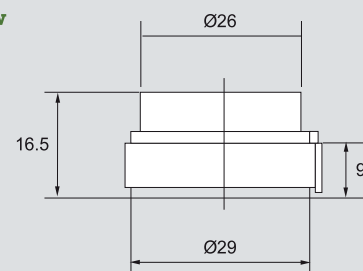


Dimensions

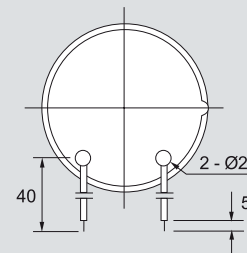
Top View



Side View



Bottom View



all dimensions are in mm