

## Self Drive Piezo Element

### SGBD-64FE Series

#### Electrical Specifications



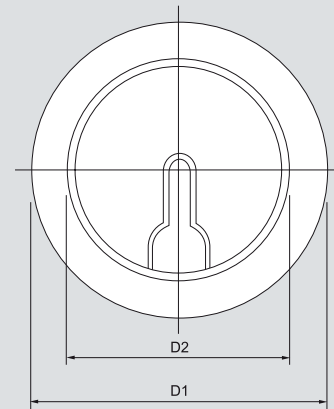
Model		64FE200390	64FE270300
Diameter (D1) (Ømm)		20	27
Diameter (D2) (Ømm)		15	20
Metal Thickness (H) (mm)		0.1	0.15
Total Height (T) (mm)		0.22	0.32
Frequency (Hz)		3900 ± 500	3000 ± 300
Resonant Impedance (Ω)		400 Max.	300 Max.
Capacitance ± 30 % (pF)		Cm : 25000 / Cf : 3000	Cm : 30000 / Cf : 3100



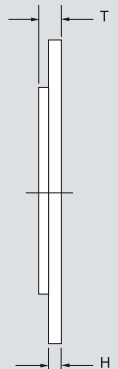
Model		64FE350320	64FE350260
Diameter (D1) (Ømm)		34.55	35
Diameter (D2) (Ømm)		25	25
Metal Thickness (H) (mm)		0.3	0.25
Total Height (T) (mm)		0.52	0.48
Frequency (Hz)		3200 ± 300	2600 ± 300
Resonant Impedance (Ω)		200 Max.	200 Max.
Capacitance ± 30 % (pF)		Cm : 37000 / Cf : 4600	Cm : 36000 / Cf : 4000

#### Dimensions

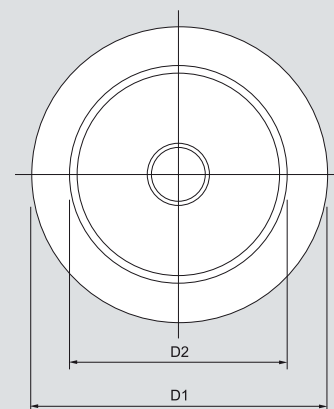
Top View



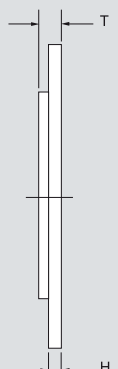
Side View



Top View



Side View



all dimensions are in mm