

Piezo Buzzer

SGBD-SL13S4120

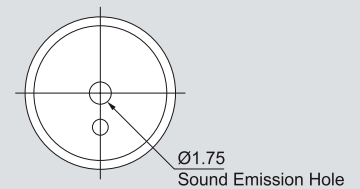


Electrical Specifications

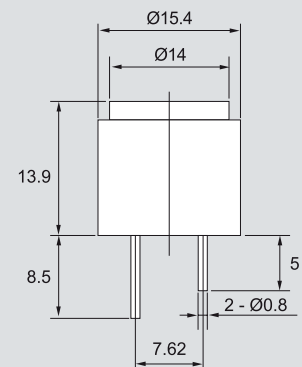
Model	SL13S4120	
Operating Voltage	(VDC)	1 ~ 18
Rated Voltage	(VDC)	12
Max. Rated Current	(mA)	20
Min. Sound Output	(dBA)	85 at 10cm
Frequency	(Hz)	4000 ± 500
Tone Nature		Single
Operating Temperature	(°C)	-20 ~ +60
Weight	(g)	2.5

Dimensions

Top View



Side View



all dimensions are in mm