

## Piezo Buzzer

### SGBD-7D3240

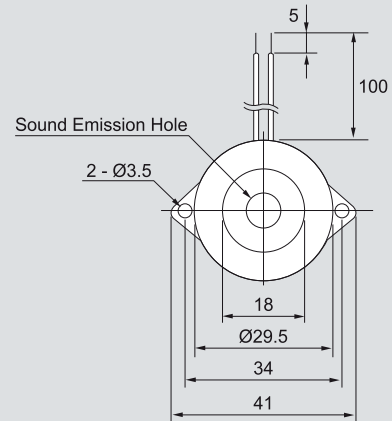


### Electrical Specifications

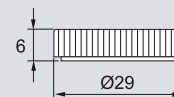
Model		7D3240
Operating Voltage	(VDC)	1.5 ~ 28
Rated Voltage	(VDC)	24
Max. Rated Current	(mA)	30
Min. Sound Output	(dBA)	90/95 at 30cm
Frequency	(Hz)	3200 ± 500
Tone Nature		Dual
Operating Temperature	(°C)	-20 ~ +60
Weight	(g)	15

### Dimensions

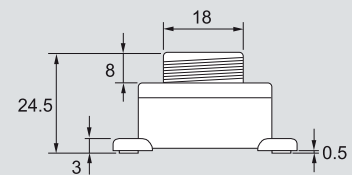
#### Top View



#### Nut



#### Side View



all dimensions are in mm