

# Piezo Buzzer

## SGBD-62T3120

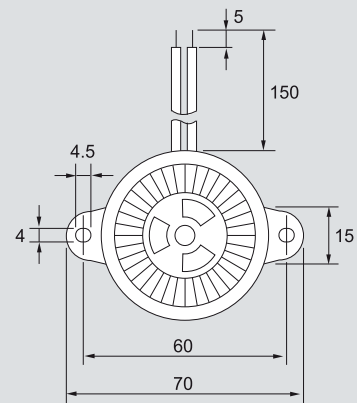


### Electrical Specifications

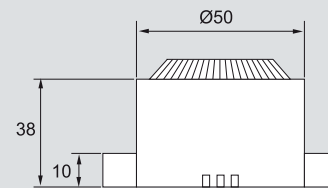
Model	62T3120	
Operating Voltage	(VDC)	6 ~ 16
Rated Voltage	(VDC)	12
Max. Rated Current	(mA)	65
Min. Sound Output	(dBA)	105 at 30cm
Frequency	(Hz)	3000 ~ 3200 ± 500
Tone Nature		Two
Operating Temperature	(°C)	-20 ~ +60
Weight	(g)	45

### Dimensions

#### Top View



#### Side View



all dimensions are in mm