

Piezo Buzzer IP67
SGBD-254PF3120LA
FAST PULSE 12VDC LW/ABS RoHS

Electrical Specifications

<i>Model No.</i>		<i>254PF3120LA</i>
<i>Operating Voltage</i>	(VDC)	9 ~ 26
<i>Rated Voltage</i>	(VDC)	12
* <i>Max. Rated Current</i>	(mA)	12
* <i>Min. Sound Output</i>	(dBA / 10 cm)	88
<i>Frequency</i>	(Hz)	3300 ± 500
<i>Tone Nature</i>		Fast Pulse (106 ± 15 Pulse / Min)
<i>Operating Temperature</i>	(° C)	-20 ~ +70
<i>Storage Temperature</i>	(° C)	-30 ~ +80
<i>Terminal</i>		Leadwire (UL1007, AWG#26)
<i>Housing Material</i>		ABS
<i>Water Proof Level</i>		IP67
<i>Weight</i>	(g)	6

* Value Applying At Rate Voltage



Color : Black

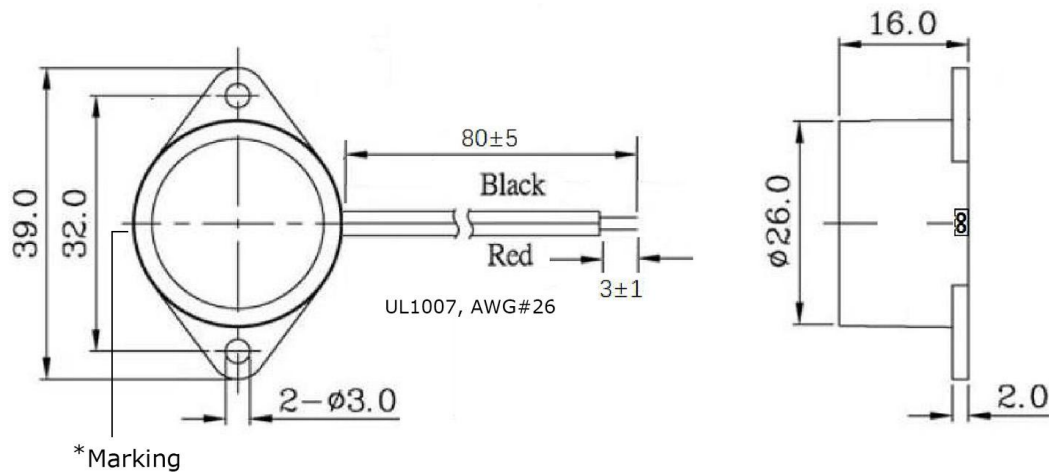
Dimensions

Unit : mm

Tolerance : ± 0.5 mm

TOP VIEW

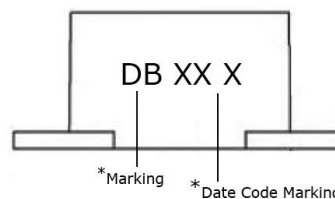
SIDE VIEW



*Marking

Marking

* Date Code Marking							
XX	Year	26 = 2026					
X	Month	A = Jan	B = Feb	C = Mar	D = Apr	E = May	F = Jun
		G = July	H = Aug	I = Sep	J = Oct	K = Nov	L = Dec



*Marking

*Date Code Marking

Ref.:3-001