

Piezo Buzzer

SGBD-193S3090

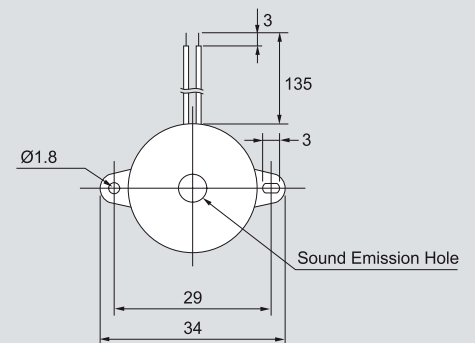


Electrical Specifications

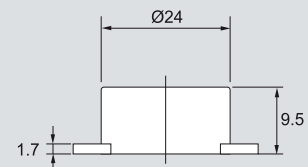
Model	193S3090	
Operating Voltage	(VDC)	3 ~ 20
Rated Voltage	(VDC)	9
Max. Rated Current	(mA)	10
Min. Sound Output	(dBA)	82 at 30cm
Frequency	(Hz)	3400 ± 500
Tone Nature		Single
Operating Temperature	(°C)	-20 ~ +65
Weight	(g)	4

Dimensions

Top View



Side View



all dimensions are in mm