

## Piezo Buzzer

### SGBD-143S3120

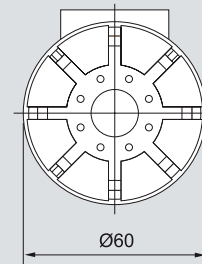


#### Electrical Specifications

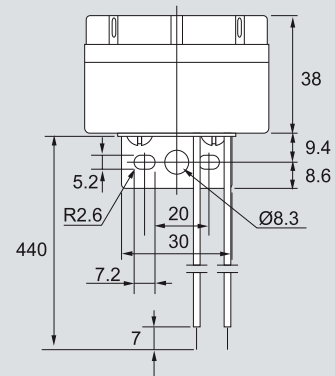
Model	143S3120	
Operating Voltage	(VDC)	6 ~ 15
Rated Voltage	(VDC)	12
Max. Rated Current	(mA)	300
Min. Sound Output	(dBA)	100 at 1m
Frequency	(Hz)	2800 ± 400
Tone Nature		Single
Operating Temperature	(°C)	-20 ~ +70
Weight	(g)	110

#### Dimensions

##### Top View



##### Side View



all dimensions are in mm