

Magnetic Buzzer

SGBD-HDB06
SGBD-HDB12

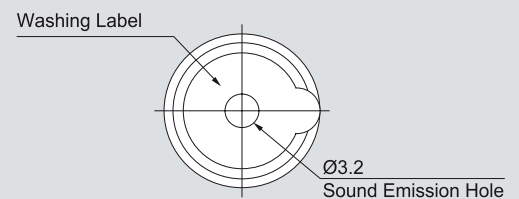


Electrical Specifications

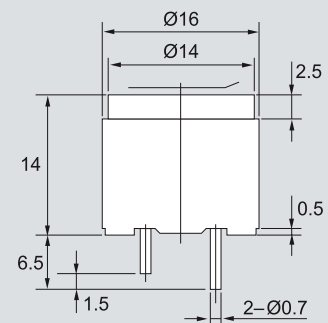
Model		HDB06	HDB12
Operating Voltage	(V)	4 ~ 8	8 ~ 15
Rated Voltage	(V)	6	12
Max. Rated Current	(mA)	30	30
Min. Sound Output	(dBA)	85 at 10cm	85 at 10cm
Frequency	(Hz)	2300 ± 300	2300 ± 300
Tone Nature		Single	Single
Operating Temperature	(°C)	-40 ~ +85	-40 ~ +85
Weight	(g)	7	7

Dimensions

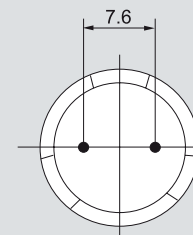
Top View



Side View



Bottom View



all dimensions are in mm