

Magnetic Buzzer

SGBD-9S3120



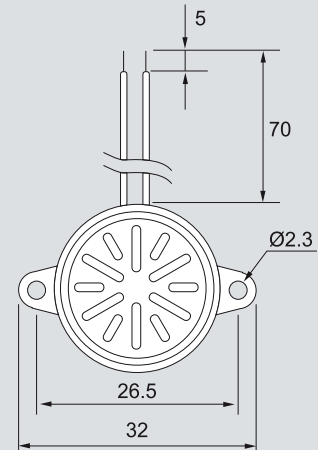
Electrical Specifications

Model	9S3120	
Operating Voltage	(VDC)	6 ~ 16
Rated Voltage	(VDC)	12
Max. Rated Current	(mA)	10
Min. Sound Output	(dBA)	85 at 30cm
Frequency	(Hz)	3400 ± 500
Tone Nature		Single
Operating Temperature	(°C)	-20 ~ +60
Weight	(g)	13

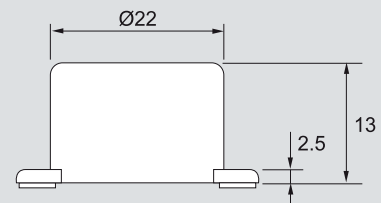
Dimensions

LEADWIRE TYPE

Top View



Side View



all dimensions are in mm