

## Magnetic Buzzer

**SGBD-2S3060**



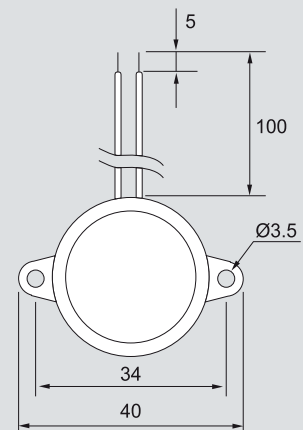
### Electrical Specifications

Model	2S3060	
Operating Voltage	(VDC)	4 ~ 9
Rated Voltage	(VDC)	6
Max. Rated Current	(mA)	35
Min. Sound Output	(dBA)	90 at 30cm
Frequency	(Hz)	2800 ± 200
Tone Nature		Single
Operating Temperature	(°C)	-20 ~ +60
Weight	(g)	10

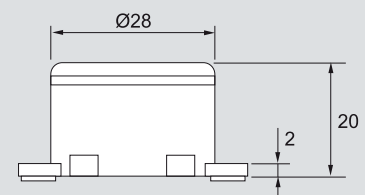
### Dimensions

#### LEADWIRE TYPE

#### Top View



#### Side View



all dimensions are in mm