

External Drive Piezo Transducer

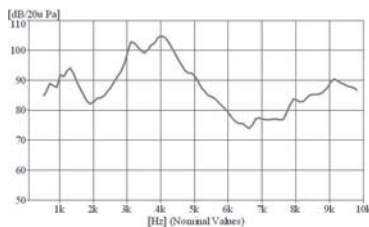
SGBD-58PZ34120



Electrical Specifications

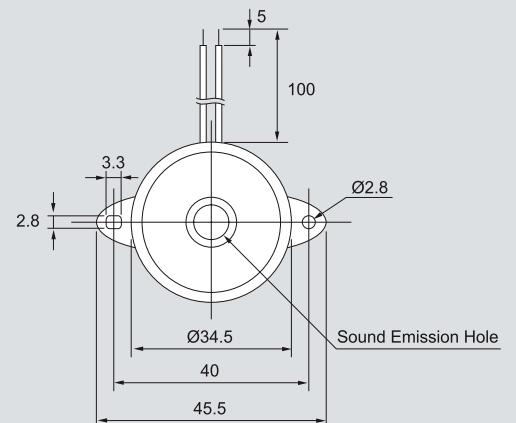
Model	58PZ34120	
Min. Sound Output	(dBA)	70 min. (3V rms / Sine Wave / 10cm / 1200Hz)
Capacitance	(pF)	50000 ± 30% at 120Hz
Max. Input Voltage	(V p-p)	30
Operating Temperature	(°C)	-20 ~ +70
Weight	(g)	6

Frequency Response

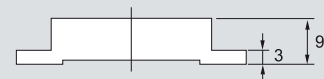


Dimensions

Top View



Side View



all dimensions are in mm