

## External Drive Piezo Transducer

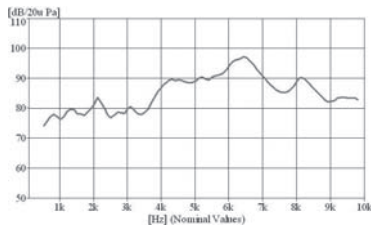
### SGBD-176PZ14480



### Electrical Specifications

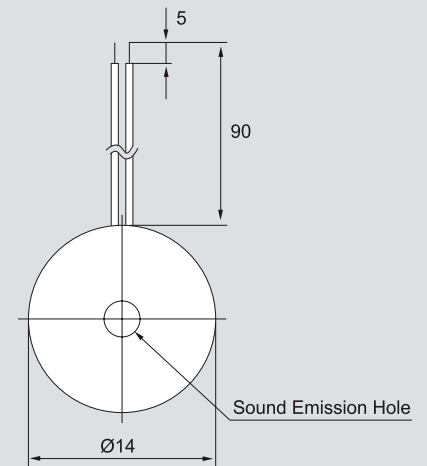
Model	176PZ14480	
Min. Sound Output	(dBA)	80 min. (10V p-p / Square Wave / 10cm / 4800Hz)
Capacitance	(pF)	15000 ± 30% at 120Hz
Max. Input Voltage	(V p-p)	30
Operating Temperature	(°C)	-20 ~ +70
Weight	(g)	1

### Frequency Response

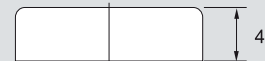


### Dimensions

#### Top View



#### Side View



all dimensions are in mm