

## External Drive Piezo Transducer

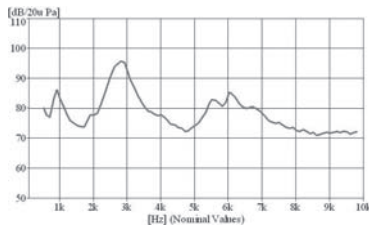
### SGBD-153PZ42280



### Electrical Specifications

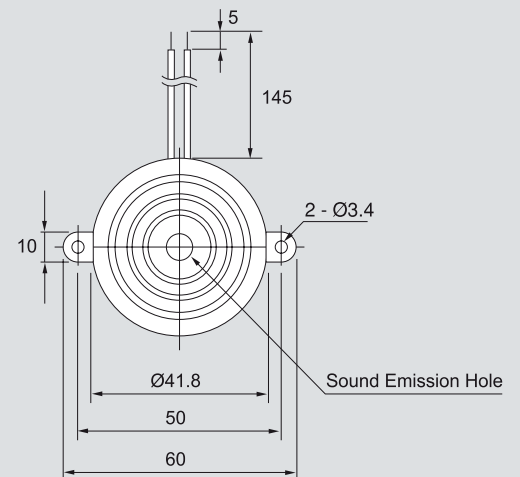
Model		153PZ42280
Min. Sound Output	(dBA)	90 min. (12V p-p / Square Wave / 30cm / 2800H)
Capacitance	(pF)	35000 ± 30% at 120Hz
Max. Input Voltage	(V p-p)	30
Operating Temperature	(°C)	-20 ~ +60
Weight	(g)	3

### Frequency Response

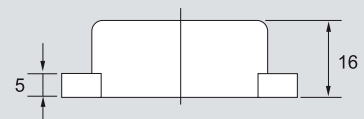


### Dimensions

#### Top View



#### Side View



all dimensions are in mm