

External Drive Piezo Transducer

SGBD-139PZ25200

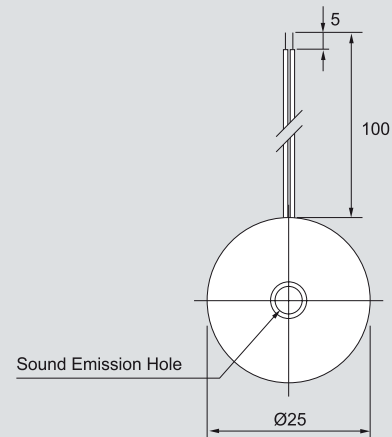


Electrical Specifications

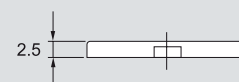
Model	139PZ25200	
Min. Sound Output	(dBA)	70 min. (3V rms / Sine Wave / 10cm / 2000Hz)
Capacitance	(pF)	45000 ± 30% at 120Hz
Max. Input Voltage	(V p-p)	40
Operating Temperature	(°C)	-20 ~ +60
Weight	(g)	5

Dimensions

Top View



Side View



all dimensions are in mm

Frequency Response

