

External Drive Piezo Transducer

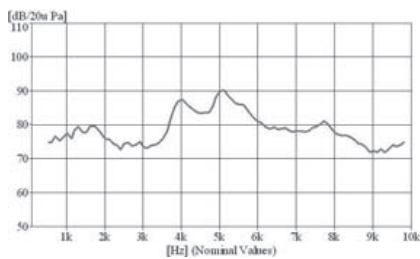
SGBD-110PZ13400



Electrical Specifications

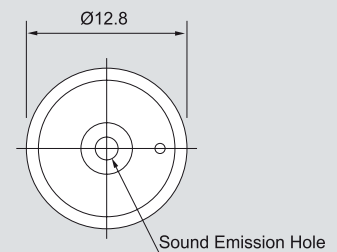
Model	110PZ13400	
Min. Sound Output	(dBA)	80 min. (5V p-p / Square Wave / 10cm / 4000Hz)
Capacitance	(pF)	14000 ± 30% at 120Hz
Max. Input Voltage	(V p-p)	30
Operating Temperature	(°C)	-20 ~ +60
Weight	(g)	2

Frequency Response

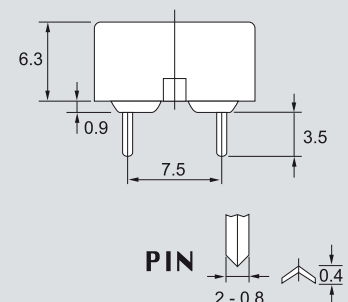


Dimensions

Top View



Side View



all dimensions are in mm