

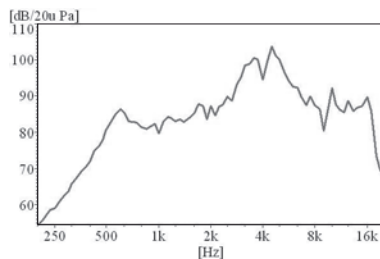
Speaker

SGBD-M28IA070008



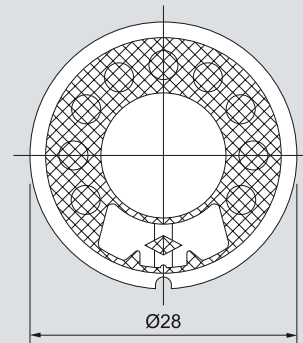
Electrical Specifications

Model	M28IA070008	
Rated Power	(W)	1
Max Power	(W)	1.5
Impedance $\pm 15\%$ at 1KHz	(Ω)	8
Sound Output	(dB)	83 \pm 3
R. Frequency $\pm 20\%$	(Hz)	700
Response Frequency f0 to	(Hz)	10 K
Operating Temperature	($^{\circ}$ C)	- 20 ~ + 55
Weight	(g)	5.8

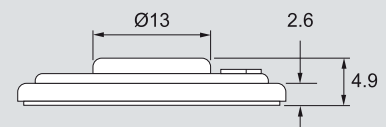


Dimensions

Bottom View



Side View



all dimensions are in mm