

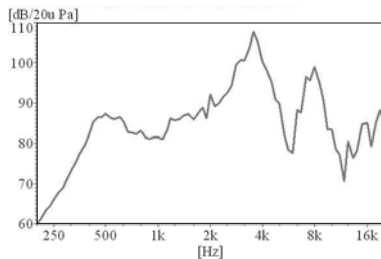
Speaker

SGBD-L50IL045008



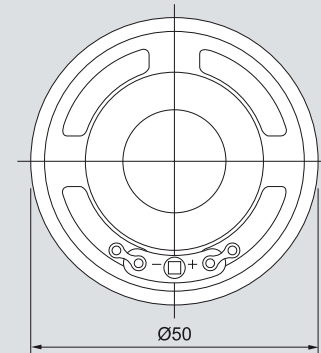
Electrical Specifications

Model	L50IL045008	
Rated Power	(W)	1
Max Power	(W)	1.5
Impedance $\pm 15\%$ at 1KHz	(Ω)	8
Sound Output	(dB)	85 ± 3
R. Frequency $\pm 20\%$	(Hz)	450
Response Frequency f_0 to	(Hz)	5 K
Operating Temperature	($^{\circ}\text{C}$)	-20 ~ +60
Weight	(g)	14.8

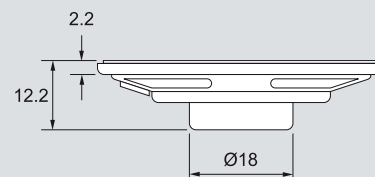


Dimensions

Bottom View



Side View



all dimensions are in mm