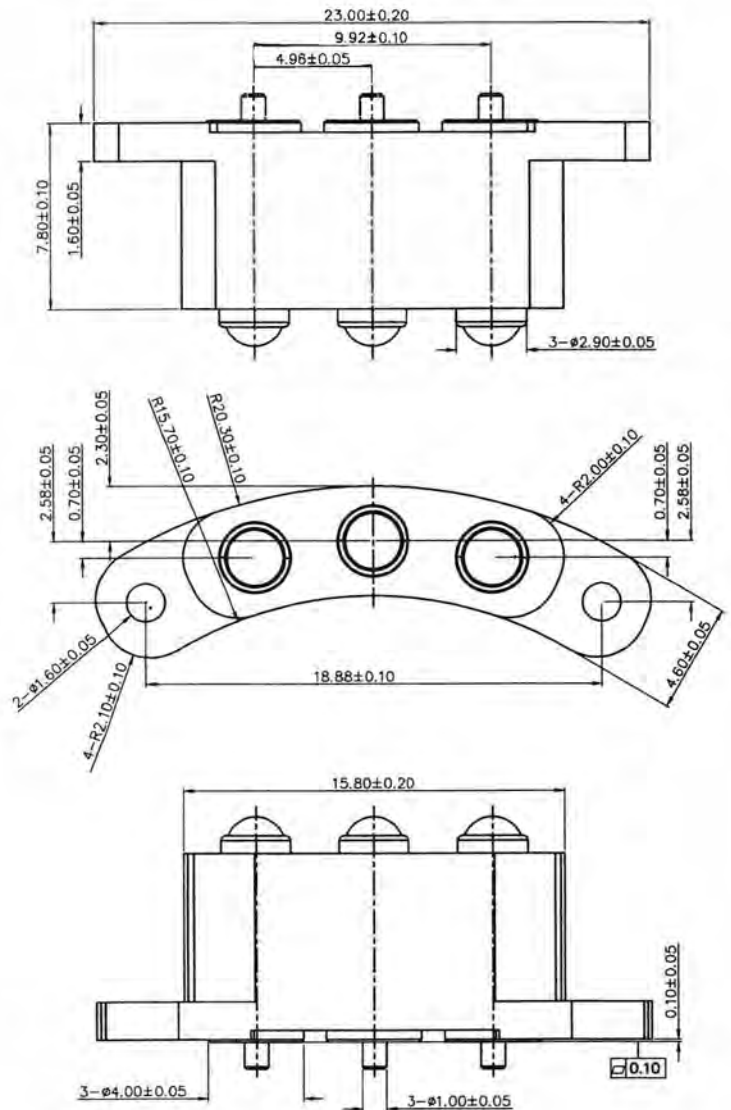
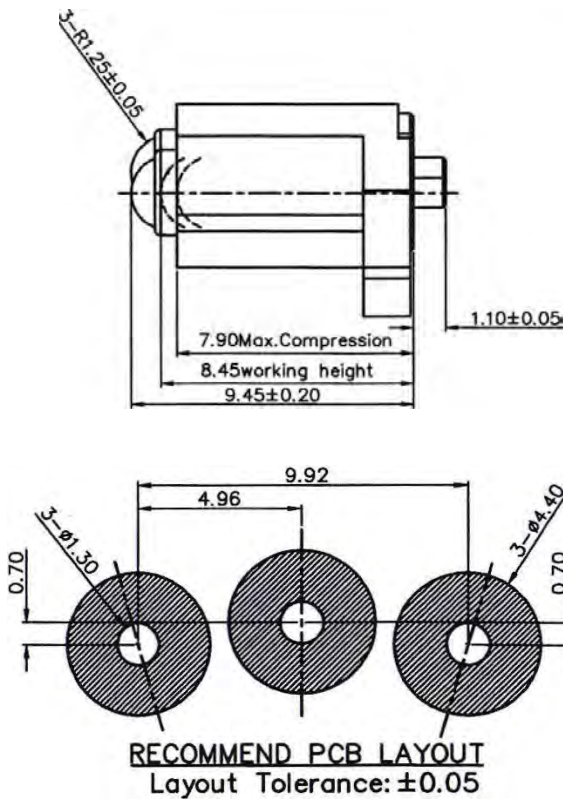


Rolling Pin SVPC-RP-P5982MP53CHR



Dimension: mm

NOTE:

1. Material

Housing: Black HTN UL94V-0

Plunger: Brass

Barrel: Brass

Spring: SUS

Ball: Brass

2. Plating

Plunger & Barrel: 15 microinch Min. Au over 50 ~ 100 microinch Min. Ni

Ball: 5 microinch Min. Pd over 30 microinch Min. PdNi over 40 ~ 80 microinch Min. Ni

3. Electrical

Rated current & voltage: DC 12V; 1A Max.

Contact resistance: 100 mohm Maximum at working height (quiescence)

4. Mechanical

Spring force: $60g\pm 15g$ at working height.

Durability: min. 200,000 circles

5. To avoid arcing issue, The adaptor start to power supply after connector mated fully.

6. To ensure the best usage, please operate it based on the working height.

Based on the engineering drawings, shall not exceed the maximum allowed compression.

7. To avoid arcing issue, The adaptor start to power supply after connector mated fully.