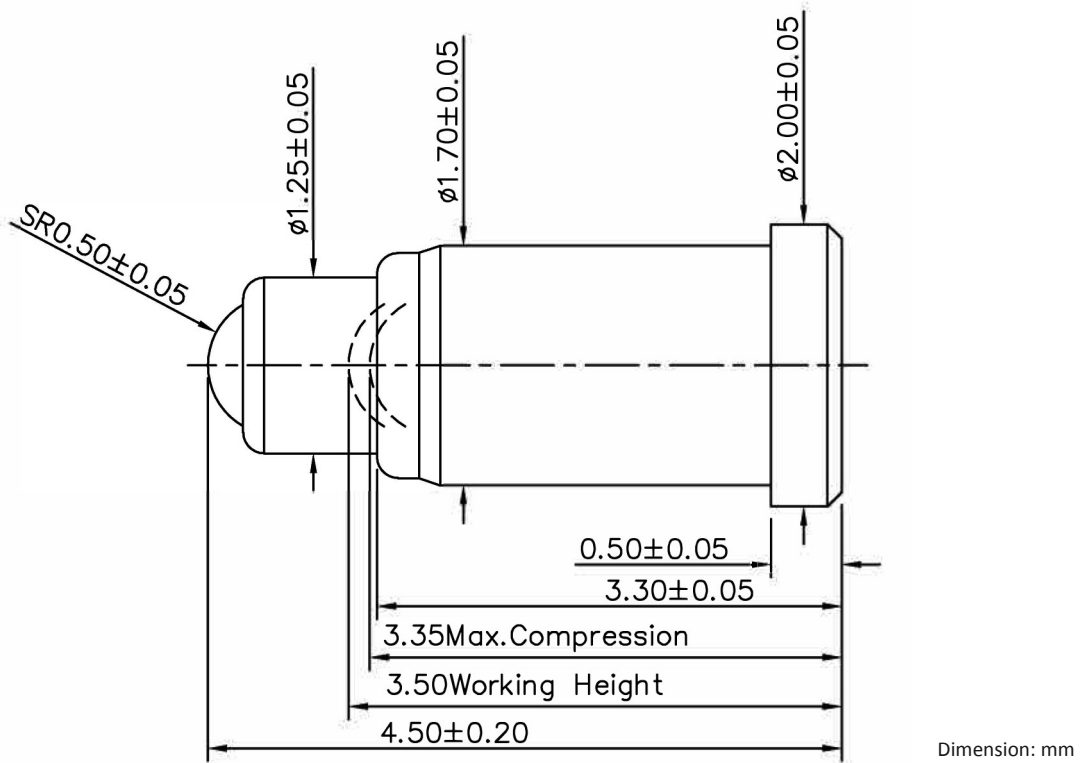


Rolling Pin

SVPC-RF-P5079FP02



NOTE:

1. Material

Plunger: Brass
 Barrel: Brass
 Spring: SUS
 Ball: Brass

2. Plating

Plunger & Barrel: 10 microinch min. Au over 50 ~ 100 microinch min. Nickel
 Ball: 5 microinch min. Pd over 20 microinch Min. PdNi over 40 ~ 80 microinch min. Ni

3. Electrical

Rated current & voltage: DC 12V; 2A
 Contact resistance: 100 mohm Maximum at working height (quiescence)

4. Mechanical

Spring force: 60g ± 20g at working height.
 Durability: min. 2,000 circles

5. To ensure the best usage, please operate it based on the working height.
 When the current is greater than 1A then need to increase the time delay circuit (3 sec.)

6. RoHS & HF complied product