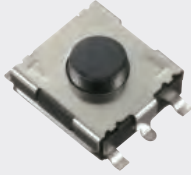


# NTC010 Series

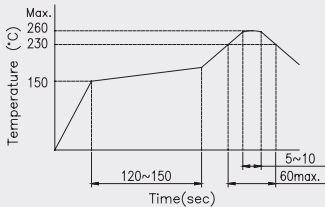
## Features

- Wide product variety.
- Heavy operating force.



Rating (max)	DC12V 50mA
Contact Resistance	100mΩ max.
Insulation Resistance	DC500V-100MΩ min.
Withstand Voltage	AC250V - 1 minute
Stroke	0.25 ± 0.1 mm

### Recommended Reflow Soldering Profile



Number of Reflow Pass : 2 cycles

### Recommended Manual Soldering Profile

	Temperature	Time
Manual Soldering Temperature	350 °C (max.)	3 Sec.(max.)

The solder iron and solder shall be applied at a distance of 1.91 mm to 2.54 mm from the plastic housing.

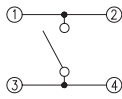
### Operating Force & Durability

100 ± 50gf	1,000,000 cycles
160 ± 50gf	1,000,000 cycles
260 ± 50gf	500,000 cycles

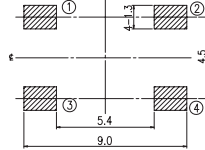
## SMT- G Type Vertical 6.2L x 6.2W x \_\_H [ Without Ground Terminal ]

Product No.	H	Package
NTC010-AT1G-A__T	2.5	2,000 Pcs/Reel
NTC010-AT1G-B__T	3.1	1,500 Pcs/Reel
NTC010-AT1G-C__T	3.4	1,300 Pcs/Reel

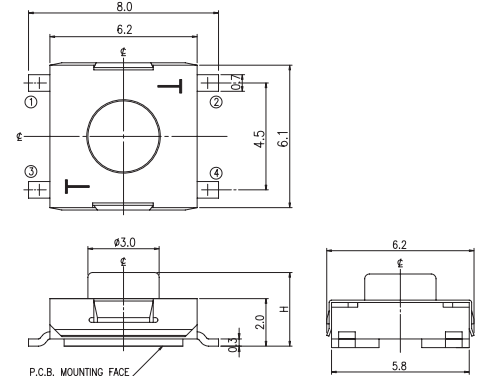
### Schematic



### P.C.B Layout



## Outline Drawing

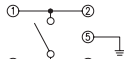


General Tolerance : ±0.2mm.

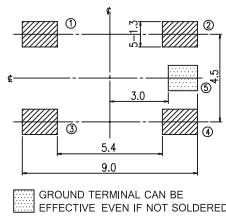
## SMT- G Type Vertical 6.2L x 6.2W x \_\_H [ With Ground Terminal ]

Product No.	H	Package
NTC010-BT1G-A__T	2.5	2,000 Pcs/Reel
NTC010-BT1G-B__T	3.1	1,500 Pcs/Reel
NTC010-BT1G-C__T	3.4	1,300 Pcs/Reel

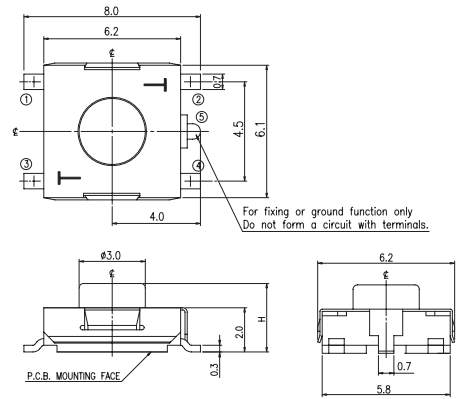
### Schematic



### P.C.B Layout



## Outline Drawing



General Tolerance : ±0.2mm.

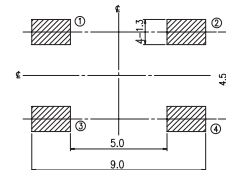
## SMT- G Type Vertical 6.2L x 6.2W x \_\_H [ Without Ground Terminal ]

Product No.	H	Package
NTC010-APIG-A__T	2.5	2,000 Pcs/Reel
NTC010-APIG-B__T	3.1	1,500 Pcs/Reel
NTC010-APIG-C__T	3.4	1,300 Pcs/Reel

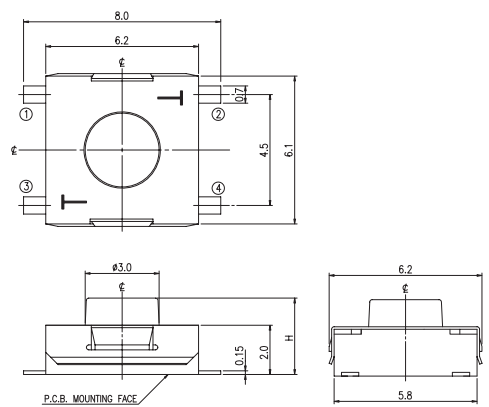
### Schematic



### P.C.B Layout



## Outline Drawing

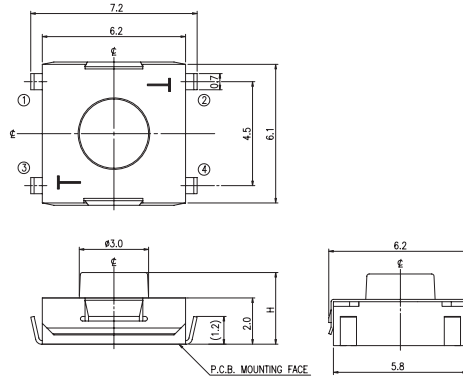


General Tolerance : ±0.2mm.

■ SMT- J Type Vertical 6.2L x 6.2W x \_H  
[ Without Ground Terminal ]

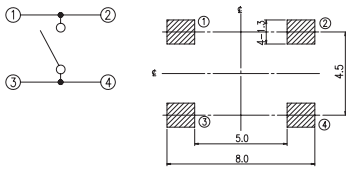
■ Outline Drawing

Product No.	H	Package
NTC010-AP1J-A__T	2.5	2,000 Pcs/Reel
NTC010-AP1J-B__T	3.1	1,500 Pcs/Reel
NTC010-AP1J-C__T	3.4	1,300 Pcs/Reel



Schematic

P.C.B Layout

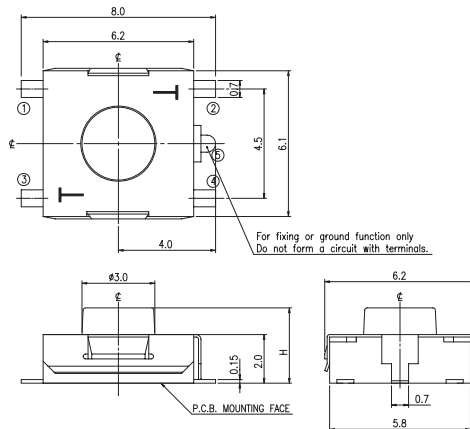


General Tolerance : ±0.2mm.

■ SMT- G Type Vertical 6.2L x 6.2W x \_H  
[ With Ground Terminal ]

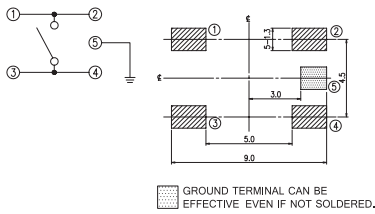
■ Outline Drawing

Product No.	H	Package
NTC010-BP1G-A__T	2.5	2,000 Pcs/Reel
NTC010-BP1G-B__T	3.1	1,500 Pcs/Reel
NTC010-BP1G-C__T	3.4	1,300 Pcs/Reel



Schematic

P.C.B Layout



General Tolerance : ±0.2mm.

