

Please Approve this Drawing

Date	
Signature	

REVISIONS

NO.	DESCRIPTION	ECN No.	DATE
	Initial Release		

NOTE;

1.Material

CAP :HTN+30%GF UL94-V0

Plunger: BrassC3604

Barrel: BrassC3604

Spring: SUS304

2.Plating

Plunger&Barrel: 10microinch Au Min  
over 50~100microinch Ni

3.Electrical

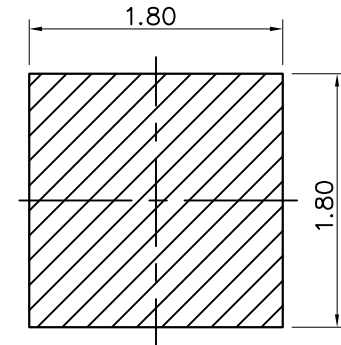
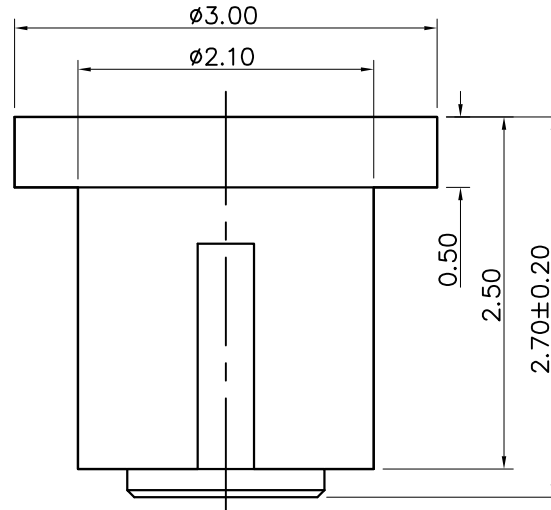
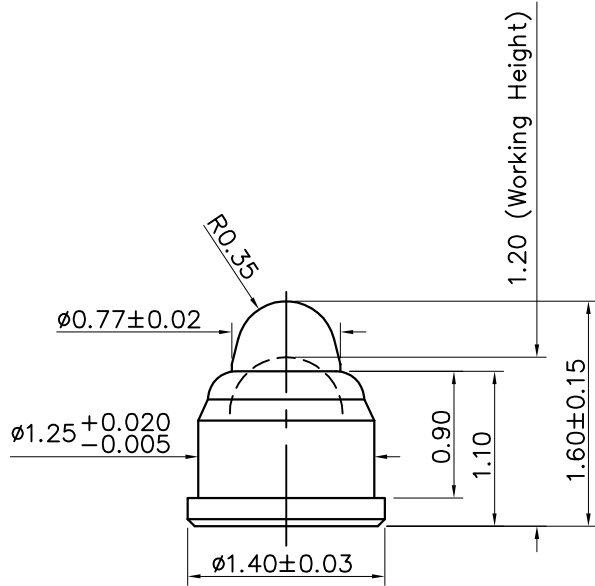
Rated current & voltage: DC12V; 1A

Contact resistance: 100 mohm maximum  
at working height(quiescence)

4.Mechanical

Spring Force: 60g±20g at working height  
Durability:10,000 cycles(minimum)

5.RoHS and HF compliant product



RECOMMEND PCB LAYOUT  
Layout Tolerance: ±0.05mm

DRAWN	梁静华	SCALE:	17/1	UNIT	mm	DRAWING NO.	F3366AA01-01CR
CHECKED		SHEET:	1 OF 1	PROJECT		TITLE. Height 1.60mm 1-Pos Pogo Pin Connector	
APPROVED		DATE:	2012.02.17	REV.	D.0		
THE UNMARKED TOLERANCE ARE AS BELOW :							
LENGTH		ANGLE					
0~6.0	±0.05mm	0.0	±2.0°	БВРÁ^&@ [ [ * ^ Ã{ àP UXUÓÐÐH I OÐFÉFOU			
>6~30	±0.10mm	0.0	±1.0°				
>30~120	±0.15mm	0.00	±0.50°				