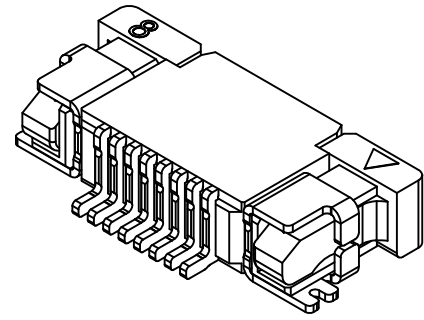


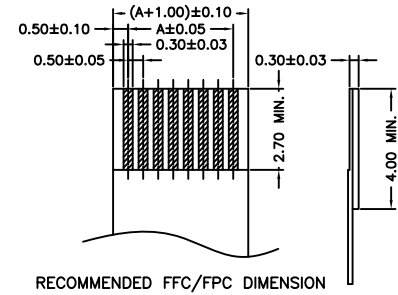
SVHJ-F0503 Series

0.50mm Pitch FFC / FPC Connector
 90° SMT Type, ZIF
 Top Contact Style



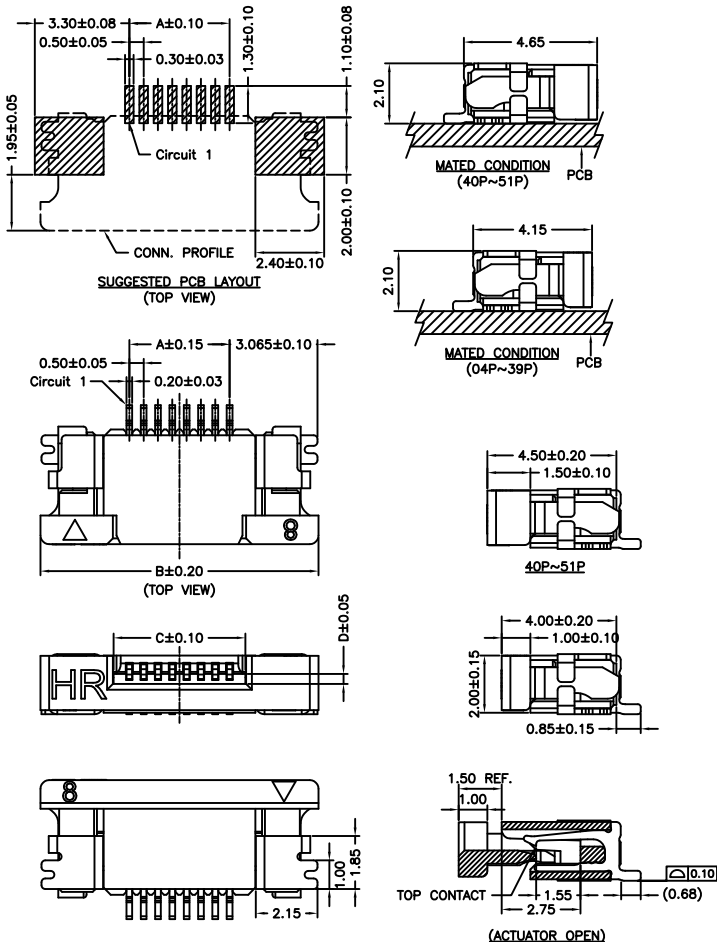
Specification

Current Rating	0.5A AC,DC
Voltage Rating	50V AC,DC
Contact Resistance	30mΩ Max.
Insulation Resistance	100MΩ Min.
Withstanding Voltage	250V AC/min.
Temperature Range	-40°C ~ +105°C
Contacts	Phospor Bronze (standard) or Matte Tin-plated (T1) / Gold flash (G1)
Solder Tabs	Brass (standard) or Matte Tin-plated (T) / Gold flash (G)
Housing	LCP, UL94V-0 - Natural (Beige)
Actuator	Nylon 6T, UL94V-0, Natural (Black)

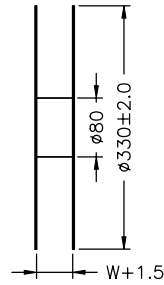
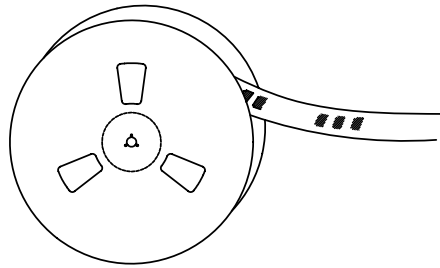


Order Code: SVHJ-F0503WRS-xxPT

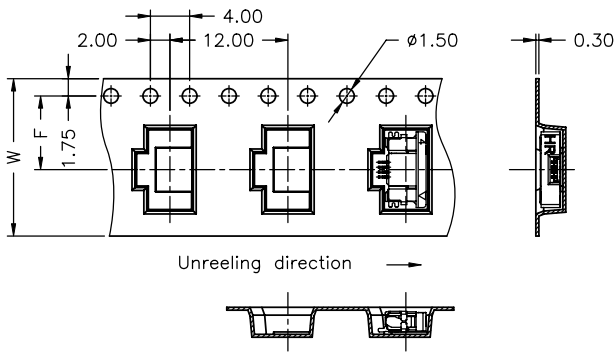
- xx** : Circuit No.
y : Plating code for contacts:
 G1 (Gold-flash)
 T1 (Matte Tin-plated)
z : Plating code for solder tabs
 G (Gold-flash)
 T (Matte Tin-plated)



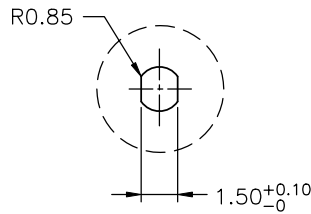
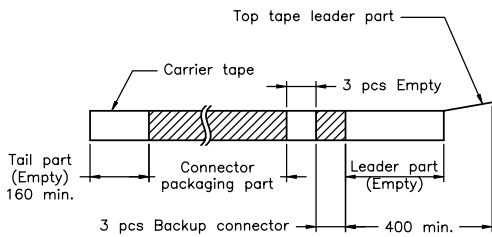
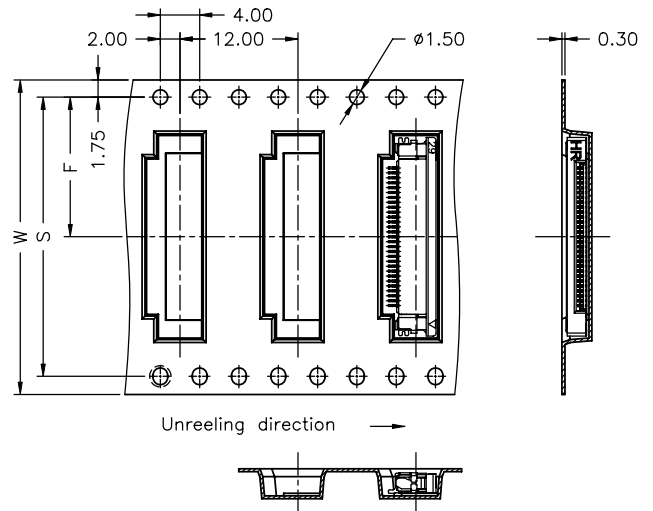
Circuit No.	Dimensions				Circuit No.	Dimensions			
	A	B	C	D		A	B	C	D
04P	1.50	7.70	2.60	0.300	25P	12.00	18.20	13.10	0.350
05P	2.00	8.20	3.10	0.300	26P	12.50	18.70	13.60	0.350
06P	2.50	8.70	3.60	0.300	27P	13.00	19.20	14.10	0.350
07P	3.00	9.20	4.10	0.350	28P	13.50	19.70	14.60	0.350
08P	3.50	9.70	4.60	0.350	29P	14.00	20.20	15.10	0.350
09P	4.00	10.20	5.10	0.350	30P	14.50	20.70	15.60	0.350
10P	4.50	10.70	5.60	0.350	31P	15.00	21.20	16.10	0.350
11P	5.00	11.20	6.10	0.350	32P	15.50	21.70	16.60	0.350
12P	5.50	11.70	6.60	0.350	33P	16.00	22.20	17.10	0.350
13P	6.00	12.20	7.10	0.350	34P	16.50	22.70	17.60	0.350
14P	6.50	12.70	7.60	0.350	35P	17.00	23.20	18.10	0.350
15P	7.00	13.20	8.10	0.350	36P	17.50	23.70	18.60	0.350
16P	7.50	13.70	8.60	0.350	37P	18.00	24.20	19.10	0.350
17P	8.00	14.20	9.10	0.350	38P	18.50	24.70	19.60	0.350
18P	8.50	14.70	9.60	0.350	39P	19.00	25.20	20.10	0.350
19P	9.00	15.20	10.10	0.350	40P	19.50	25.70	20.60	0.350
20P	9.50	15.70	10.60	0.350	45P	22.00	28.20	23.10	0.350
21P	10.00	16.20	11.10	0.350	49P	24.00	30.20	25.10	0.350
22P	10.50	16.70	11.60	0.350	50P	24.50	30.70	25.60	0.350
23P	11.00	17.20	12.10	0.350	51P	25.00	31.20	26.10	0.350
24P	11.50	17.70	12.60	0.350					



04~21 Contacts



22~51 Contacts



Number of Contacts	W±0.3	F±0.1	S±0.1	Q'ty/Reel	Number of Contacts	W±0.3	F±0.1	S±0.1	Q'ty/Reel	
04P	16	7.50	28.40	1,500	25P	32	14.20	28.40	1,500	
05P	16	7.50		26P	32	14.20	28.40	1,500		
06P	24	11.50		27P	32	14.20	28.40	1,500		
07P	24	11.50		28P	32	14.20	28.40	1,500		
08P	24	11.50		29P	32	14.20	28.40	1,500		
09P	24	11.50		30P	32	14.20	28.40	1,500		
10P	24	11.50		31P	44	20.20	40.40	1,500		
11P	24	11.50		32P	44	20.20	40.40	1,500		
12P	24	11.50		33P	44	20.20	40.40	1,500		
13P	24	11.50		34P	44	20.20	40.40	1,500		
14P	24	11.50		35P	44	20.20	40.40	1,500		
15P	24	11.50		36P	44	20.20	40.40	1,500		
16P	24	11.50		37P	44	20.20	40.40	1,500		
17P	24	11.50		38P	44	20.20	40.40	1,500		
18P	24	11.50		39P	44	20.20	40.40	1,500		
19P	24	11.50		40P	44	20.20	40.40	1,500		
20P	24	11.50		45P	44	20.20	40.40	1,500		
21P	24	11.50		49P	44	20.20	40.40	1,500		
22P	32	14.20		28.40	1,500	50P	44	20.20	40.40	1,500
23P	32	14.20		28.40	1,500	51P	44	20.20	40.40	1,500
24P	32	14.20		28.40	1,500					