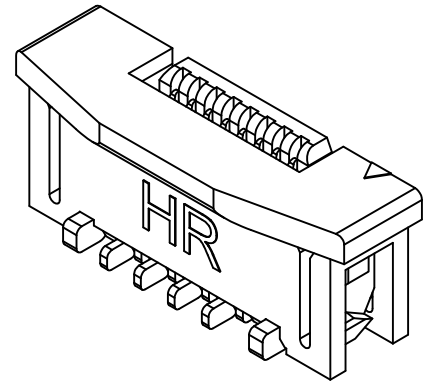


SVHJ-F0503 Series

0.50mm Pitch
FFC / FPC Connector
180° SMT Type, ZIF



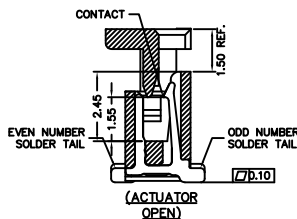
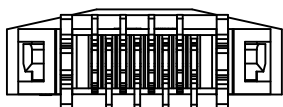
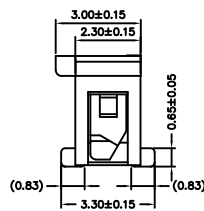
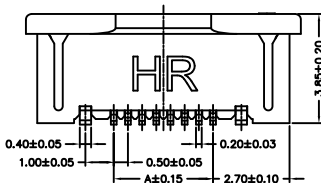
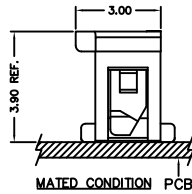
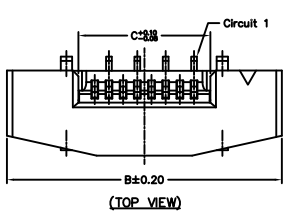
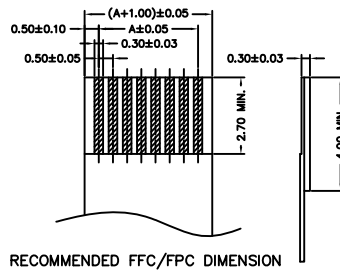
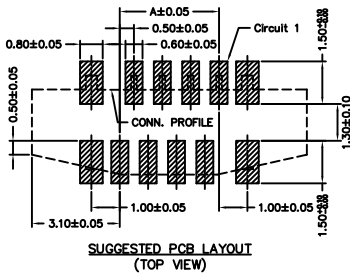
Specification

Current Rating	0.5A AC,DC
Voltage Rating	50V AC,DC
Contact Resistance	30mΩ Max.
Insulation Resistance	100MΩ Min.
Withstanding Voltage	250V AC/min.
Temperature Range	-40°C ~ +105°C

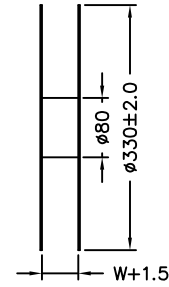
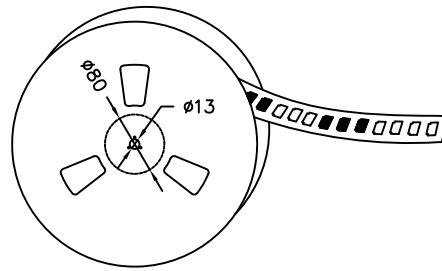
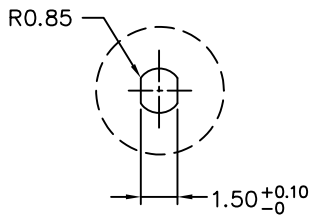
Contacts	Phospor Bronze (standard) or Matte Tin-plated (T1) / Gold flash (G1) / Gold-plated (1u") in contact area
Solder Tabs	Brass (standard) or Matte Tin-plated (T) / Gold flash (G)
Housing	LCP, UL94V-0 - Natural (Beige)
Actuator	Nylon 6T, UL94V-0, Natural (Black) or LCP, UL94V-0 - Natural (Beige)

Order Code: SVHJ-F0503WRS-xxP-y-z

- xx :** Circuit No.
- y :** Plating code for contacts:
G1 (Gold-flash)
K1 (Gold-plated (1u") in contact area)
T1 (Matte Tin-plated)
- z :** Plating code for solder tabs
G (Gold-flash)
T (Matte Tin-plated)

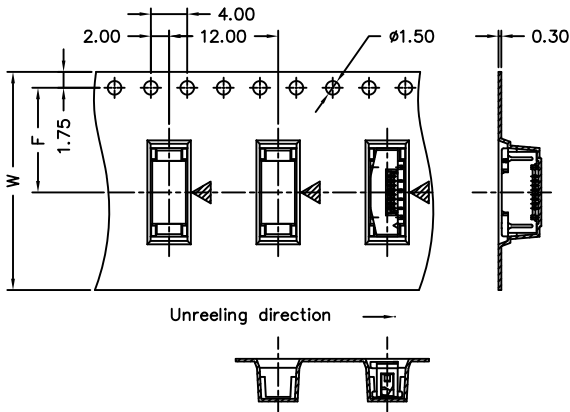


Circuit No.	Dimensions			Circuit No.	Dimensions		
	A	B	C		A	B	C
04P	1.50	7.70	2.65	23P	11.00	17.20	12.15
05P	2.00	8.20	3.15	24P	11.50	17.70	12.65
06P	2.50	8.70	3.65	25P	12.00	18.20	13.15
07P	3.00	9.20	4.15	26P	12.50	18.70	13.65
08P	3.50	9.70	4.65	27P	13.00	19.20	14.15
09P	4.00	10.20	5.15	28P	13.50	19.70	14.65
10P	4.50	10.70	5.65	29P	14.00	20.20	15.15
11P	5.00	11.20	6.15	30P	14.50	20.70	15.65
12P	5.50	11.70	6.65	31P	15.00	21.20	16.15
13P	6.00	12.20	7.15	32P	15.50	21.70	16.65
14P	6.50	12.70	7.65	33P	16.00	22.20	17.15
15P	7.00	13.20	8.15	34P	16.50	22.70	17.65
16P	7.50	13.70	8.65	35P	17.00	23.20	18.15
17P	8.00	14.20	9.15	36P	17.50	23.70	18.65
18P	8.50	14.70	9.65	37P	18.00	24.20	19.15
19P	9.00	15.20	10.15	38P	18.50	24.70	19.65
20P	9.50	15.70	10.65	39P	19.00	25.20	20.15
21P	10.00	16.20	11.15	40P	19.50	25.70	20.65
22P	10.50	16.70	11.65	45P	22.00	28.20	23.15

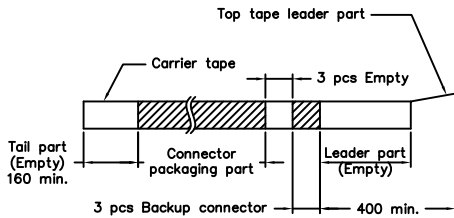
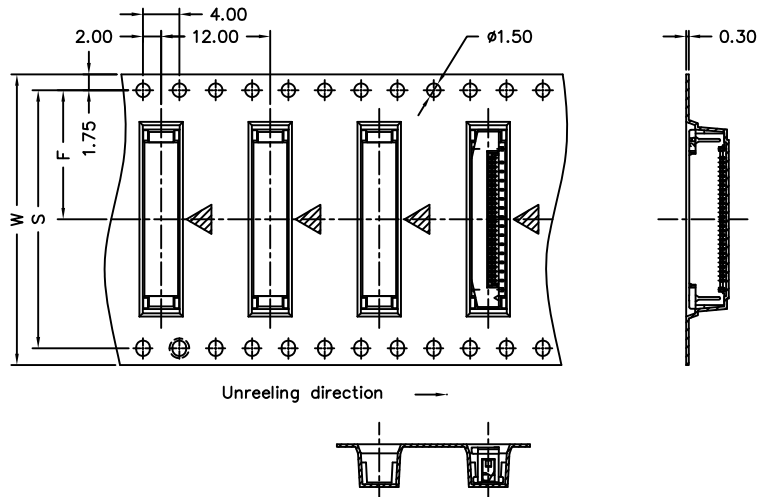


NOTE:
Material: Transparent
Anti-static Polystyrene.

04~22 Contacts



23~45 Contacts



Number of Contacts	W±0.3	F±0.1	S±0.1	Q'ty/Reel	Number of Contacts	W±0.3	F±0.1	S±0.1	Q'ty/Reel
04P	16	7.50	28.40	1,000	23P	32	14.20	28.40	1,000
05P	16	7.50		24P	32	14.20	28.40	1,000	
06P	16	7.50		25P	32	14.20	28.40	1,000	
07P	24	11.50		26P	32	14.20	28.40	1,000	
08P	24	11.50		27P	32	14.20	28.40	1,000	
09P	24	11.50		28P	32	14.20	28.40	1,000	
10P	24	11.50		29P	32	14.20	28.40	1,000	
11P	24	11.50		30P	32	14.20	28.40	1,000	
12P	24	11.50		31P	44	20.20	40.40	1,000	
13P	24	11.50		32P	44	20.20	40.40	1,000	
14P	24	11.50		33P	44	20.20	40.40	1,000	
15P	24	11.50		34P	44	20.20	40.40	1,000	
16P	24	11.50		35P	44	20.20	40.40	1,000	
17P	24	11.50		36P	44	20.20	40.40	1,000	
18P	24	11.50		37P	44	20.20	40.40	1,000	
19P	24	11.50		38P	44	20.20	40.40	1,000	
20P	24	11.50		39P	44	20.20	40.40	1,000	
21P	24	11.50		40P	44	20.20	40.40	1,000	
22P	32	14.20		45P	44	20.20	40.40	1,000	