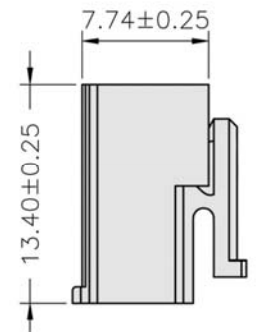
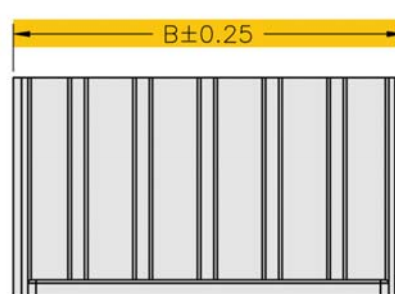
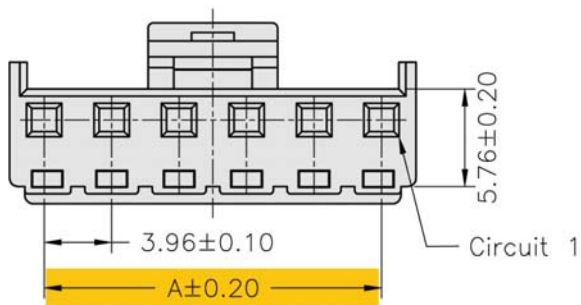
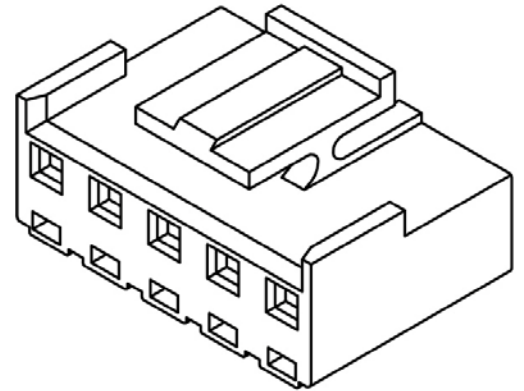


**SVHJ-A3961 SERIES**  
**3.96mm pitch**  
**Housing**

**SVHJ – A3961HA - xxP**

**Specification**

Current Rating	7A AC / DC
Voltage Rating	250V AC / DC
Temperature Range	-25°C ~ +85°C
Contact Resistance	10mΩ Max.
Insulation Resistance	1000MΩ Min.
Withstanding Voltage	1500V AC/minute
Material	Nylon 66, UL94V-0
Color	Natural (White)



**Ordering Information & Dimensions**

SVHJ – A3961H - xxP	Dimensions	
	A	B
SVHJ - A3961HA - 2P	3.96	8.06
SVHJ - A3961HA - 3P	7.92	11.98
SVHJ - A3961HA - 4P	11.88	15.94
SVHJ - A3961HA - 5P	15.84	19.90
SVHJ - A3961HA - 6P	19.80	23.86
SVHJ - A3961HA - 7P	23.76	27.82
SVHJ - A3961HA - 8P	27.72	31.78
SVHJ - A3961HA - 9P	31.68	35.74
SVHJ - A3961HA - 10P	35.64	39.70
SVHJ - A3961HA - 11P	39.60	43.66
SVHJ - A3961HA - 12P	43.56	47.62
SVHJ - A3961HA - 13P	47.52	51.58
SVHJ - A3961HA - 14P	51.48	55.54
SVHJ - A3961HA - 15P	55.44	59.50

P = Pin

