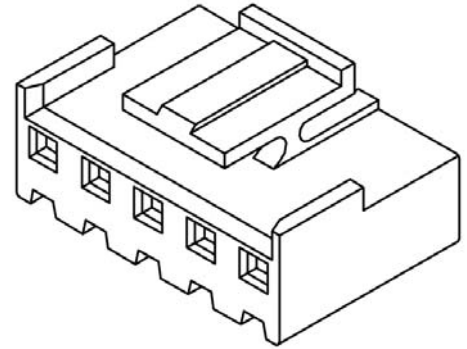


SVHJ-A3961 SERIES
3.96mm pitch
Housing

SVHJ – A3961H - xxP

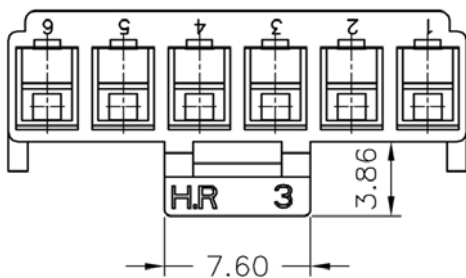
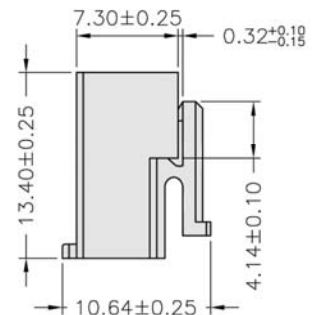
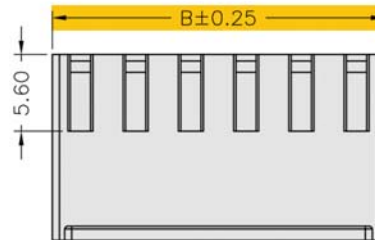
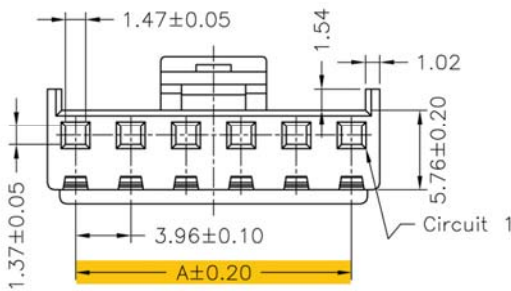


Specification

Current Rating	7A AC / DC
Voltage Rating	250V AC / DC
Temperature Range	-25°C ~ +85°C
Contact Resistance	10mΩ Max.
Insulation Resistance	1000MΩ Min.
Withstanding Voltage	1500V AC/minute

Material / Color Options

Code	Material	Color
Blank	66,UL94V-0	Natural (White)
RD	66,UL94V-0	Red (1785C)
BL	66,UL94V-0	Blue (660C)
BK	66,UL94V-0	Natural (Black)
PU	66,UL94V-0	Lavender (2583C)
NF	66,UL94V-2 No Flame IEC 60335-1 rev.4	Natural (Beige)
101	66,UL94V-2 No Flame IEC 60335-1 rev.4	Red
102	66,UL94V-2 No Flame IEC 60335-1 rev.4	Black



Ordering Information & Dimensions

SVHJ – A3961H - xxP	Dimensions	
	A	B
SVHJ - A3961H - 2P	3.96	8.06
SVHJ - A3961H - 3P	7.92	11.98
SVHJ - A3961H - 4P	11.88	15.94
SVHJ - A3961H - 5P	15.84	19.90
SVHJ - A3961H - 6P	19.80	23.86
SVHJ - A3961H - 7P	23.76	27.82
SVHJ - A3961H - 8P	27.72	31.78
SVHJ - A3961H - 9P	31.68	35.74
SVHJ - A3961H - 10P	35.64	39.70
SVHJ - A3961H - 11P	39.60	43.66
SVHJ - A3961H - 12P	43.56	47.62
SVHJ - A3961H - 13P	47.52	51.58
SVHJ - A3961H - 14P	51.48	55.54
SVHJ - A3961H - 15P	55.44	59.50

P = Pin