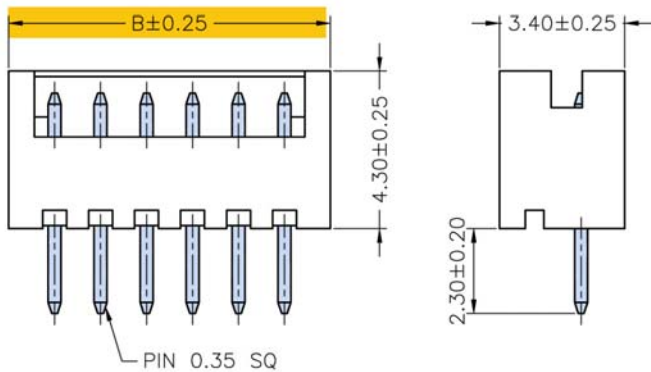
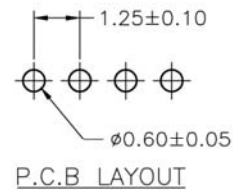
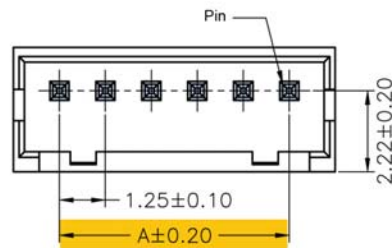
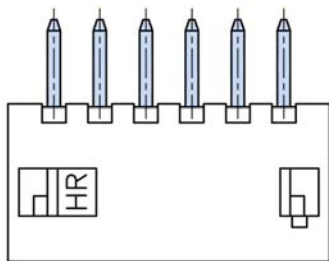
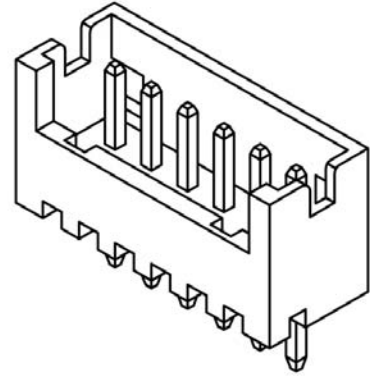


**SVHJ-A1252 SERIES**  
**1.25mm pitch**  
**Vertical Angle**  
**Single Row Wafer DIP**

**SVHJ – A1252WV - xxP**

**Specification**

Current Rating	1A AC / DC
Voltage Rating	150V AC / DC
Temperature Range	-25°C ~ +85°C
Contact Resistance	30mΩ Max.
Insulation Resistance	500MΩ Min.
Withstanding Voltage	500V AC/minute
Pin Material	Brass / Tin-plated
Material	Nylon 66, UL94V-0
Color	7529C ~ 7530C



**Ordering Information & Dimensions**

SVHJ – A1252WV - xxP	Dimensions (mm)	
	A	B
SVHJ - A1252WV - 2P	1.25	3.75
SVHJ - A1252WV - 3P	2.50	5.00
SVHJ - A1252WV - 4P	3.75	6.25
SVHJ - A1252WV - 5P	5.00	7.50
SVHJ - A1252WV - 6P	6.25	8.75
SVHJ - A1252WV - 7P	7.50	10.00
SVHJ - A1252WV - 8P	8.75	11.25
SVHJ - A1252WV - 9P	10.00	12.50
SVHJ - A1252WV - 10P	11.25	13.75
SVHJ - A1252WV - 11P	12.50	15.00
SVHJ - A1252WV - 12P	13.75	16.25
SVHJ - A1252WV - 13P	15.00	17.50
SVHJ - A1252WV - 14P	16.25	18.75
SVHJ - A1252WV - 15P	17.50	20.00

P = Pin