

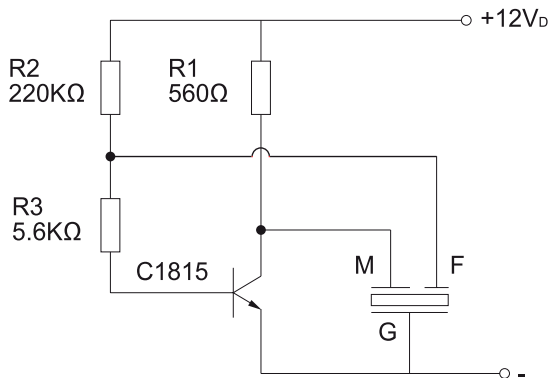
## Self Drive Piezo Transducer SGBD-35PZ28300



### Electrical Specifications

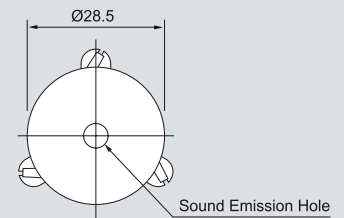
Model		35PZ28300
Operating Voltage	(VDC)	3 ~ 24
Rated Voltage	(VDC)	12
Max. Rated Current	(mA)	30
Min. Sound Output	(dBA)	75 at 1m
Resonant Frequency	(Hz)	3000 ± 500
Operating Temperature	(°C)	-20 ~ +70
Weight	(g)	3

### Reference Circuit

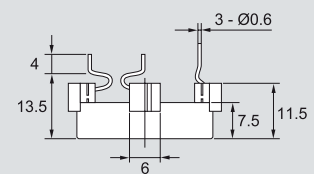


### Dimensions

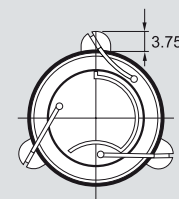
#### Top View



#### Side View



#### Bottom View



all dimensions are in mm