

## Self Drive Piezo Transducer

### SGBD-125PZ25320

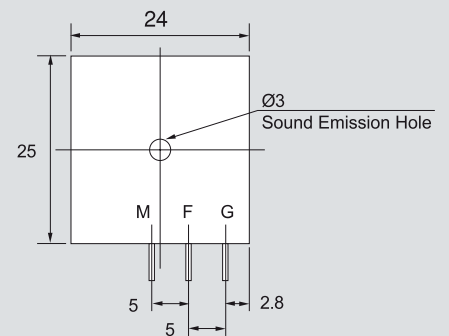


### Electrical Specifications

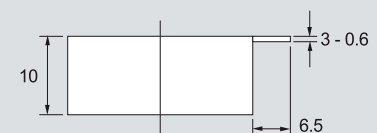
Model		125PZ25320
Operating Voltage	(VDC)	6 ~ 30
Rated Voltage	(VDC)	12
Max. Rated Current	(mA)	20
Min. Sound Output	(dBA)	86 at 20cm
Resonant Frequency	(Hz)	3200 ± 400
Operating Temperature	(°C)	-20 ~ +125
Weight	(g)	3.5

### Dimensions

#### Top View



#### Side View



all dimensions are in mm

### Reference Circuit

