

Piezo Buzzer

SGBD-SL15R3240

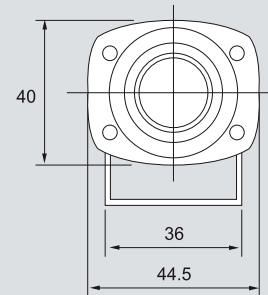


Electrical Specifications

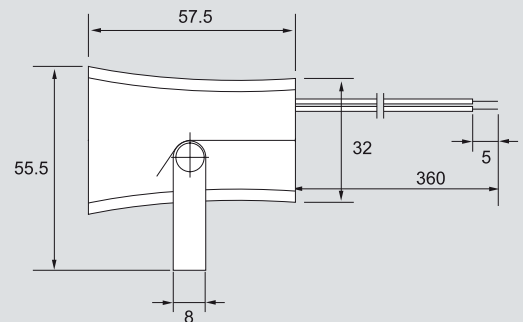
Model	SL15R3240	
Operating Voltage	(VDC)	12 ~ 28
Rated Voltage	(VDC)	24
Max. Rated Current	(mA)	150
Min. Sound Output	(dBA)	100 at 30cm
Frequency	(Hz)	1000 ~ 3500
Tone Nature		Siren
Operating Temperature	(°C)	-20 ~ +60
Weight	(g)	75

Dimensions

Top View



Side View



all dimensions are in mm