

# Piezo Buzzer

## SGBD-31S5120

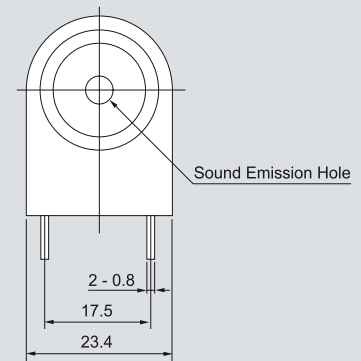


### Electrical Specifications

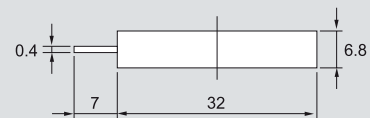
Model	31S5120	
Operating Voltage	(VDC)	3 ~ 24
Rated Voltage	(VDC)	12
Max. Rated Current	(mA)	8
Min. Sound Output	(dBA)	85 at 10cm
Frequency	(Hz)	5800 ± 500
Tone Nature		Single
Operating Temperature	(°C)	-20 ~ +60
Weight	(g)	8

### Dimensions

#### Top View



#### Side View



all dimensions are in mm