

Piezo Buzzer

SGBD-29SL3120

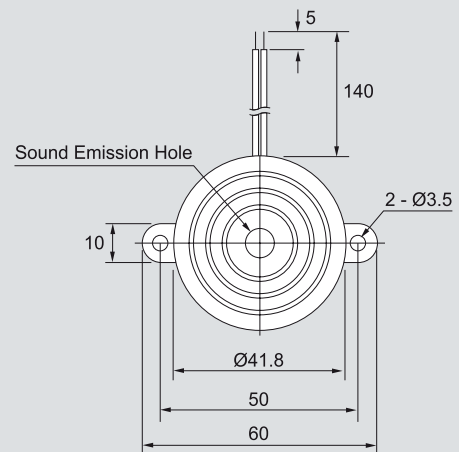


Electrical Specifications

Model		29SL3120
Operating Voltage	(VDC)	1.5 ~ 20
Rated Voltage	(VDC)	12
Max. Rated Current	(mA)	10
Min. Sound Output	(dBA)	96 at 30cm
Frequency	(Hz)	2800 ± 500
Tone Nature		Single
Operating Temperature	(°C)	-20 ~ +60
Weight	(g)	15

Dimensions

Top View



Side View



all dimensions are in mm