

Piezo Buzzer

SGBD-24S3090

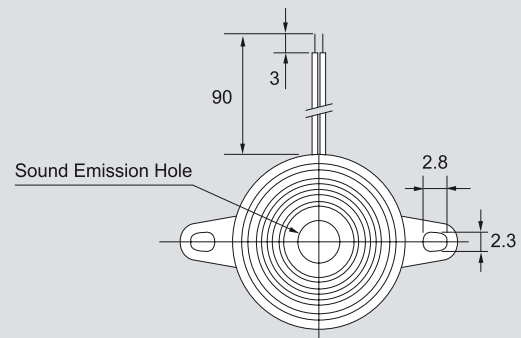


Electrical Specifications

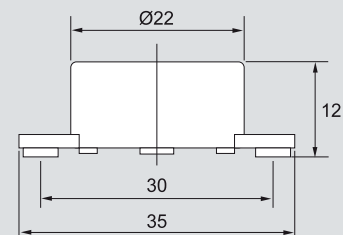
Model	24S3090	
Operating Voltage	(VDC)	1.5 ~ 24
Rated Voltage	(VDC)	9
Max. Rated Current	(mA)	20
Min. Sound Output	(dBA)	85 at 30cm
Frequency	(Hz)	3300 ± 500
Tone Nature		Single
Operating Temperature	(°C)	-20 ~ +70
Weight	(g)	14

Dimensions

Top View



Side View



all dimensions are in mm