

Piezo Buzzer

SGBD-196S3090

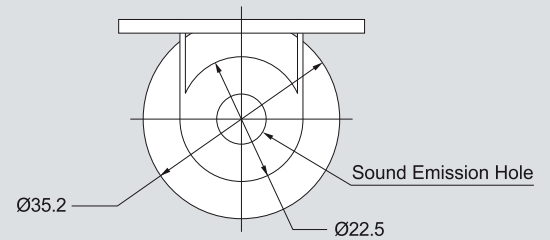


Electrical Specifications

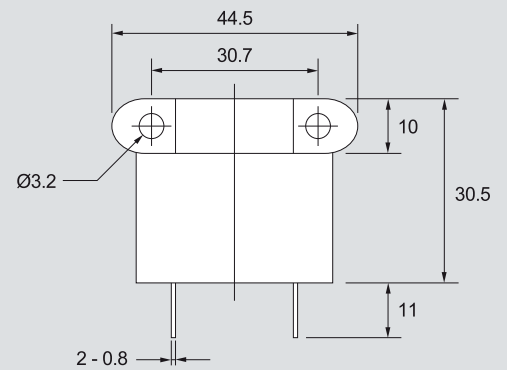
Model	196S3090	
Operating Voltage	(VDC)	9 ~ 48
Rated Voltage	(VDC)	9
Max. Rated Current	(mA)	3
Min. Sound Output	(dBA)	80 at 1m
Frequency	(Hz)	2800 ± 500
Tone Nature		Single
Operating Temperature	(°C)	-20 ~ +60
Weight	(g)	26

Dimensions

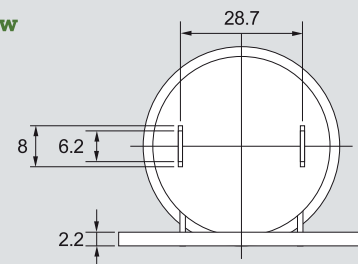
Top View



Side View



Bottom View



all dimensions are in mm