

## Piezo Buzzer

### SGBD-152S3120

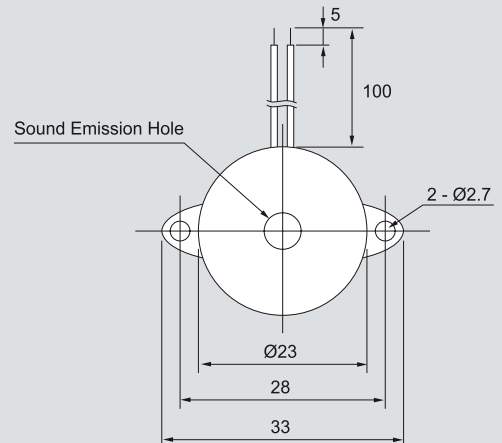


#### Electrical Specifications

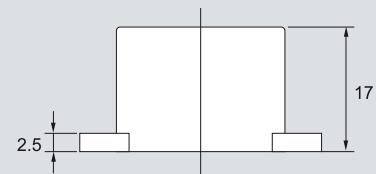
Model	152S3120	
Operating Voltage	(VDC)	3 ~ 16
Rated Voltage	(VDC)	12
Max. Rated Current	(mA)	8
Min. Sound Output	(dBA)	90 at 30cm
Frequency	(Hz)	3700 ± 500
Tone Nature		Single
Operating Temperature	(°C)	-20 ~ +60
Weight	(g)	5

#### Dimensions

##### Top View



##### Side View



all dimensions are in mm