

# Piezo Buzzer

## SGBD-132S3120

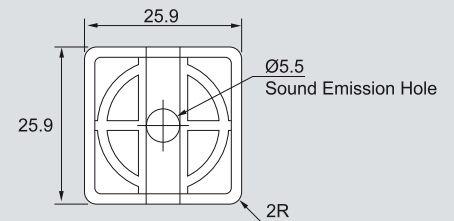


### Electrical Specifications

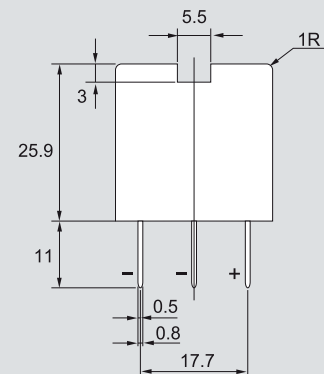
Model	132S3120	
Operating Voltage	(VDC)	9 ~ 18
Rated Voltage	(VDC)	12
Max. Rated Current	(mA)	15
Min. Sound Output	(dBA)	88 at 30cm
Frequency	(Hz)	3300 ± 500
Tone Nature		Single
Operating Temperature	(°C)	-20 ~ +85
Weight	(g)	10

### Dimensions

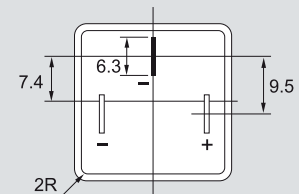
#### Top View



#### Side View



#### Bottom View



all dimensions are in mm