

Magnetic Transducer

SGBD-RDX06
SGBD-RDX12

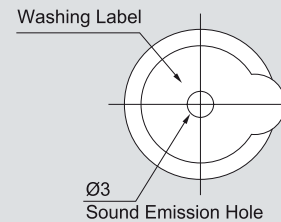


Electrical Specifications

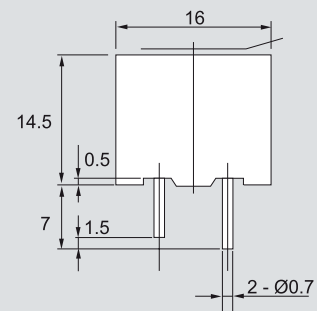
Model		RDX06	RDX12
Operating Voltage	(V)	3 ~ 12	8 ~ 16
Rated Voltage	(V)	6	12
Max. Rated Current	(mA)	40	40
Coil Resistance	(Ω)	45 ± 7	115 ± 17
Min. Sound Output	(dBA)	85 at 10cm	85 at 10cm
Frequency	(Hz)	2048	2048
Operating Temperature	(°C)	-20 ~ +60	-30 ~ +80
Weight	(g)	7	7

Dimensions

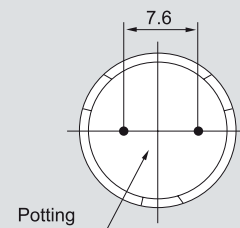
Top View



Side View



Bottom View



all dimensions are in mm

Frequency Response

