

Magnetic Transducer

SGBD-PDX04A

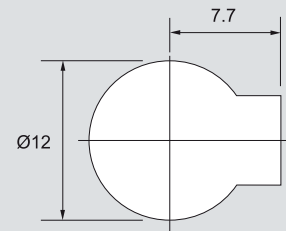


Electrical Specifications

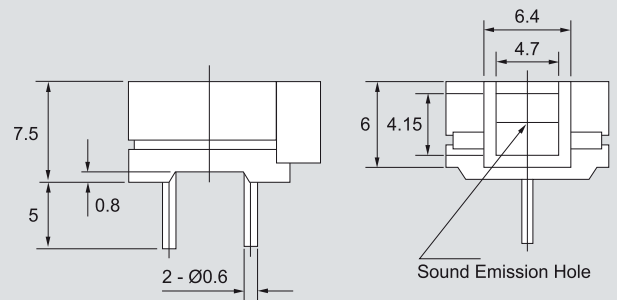
Operating Voltage	(V)	1 ~ 3
Rated Voltage	(V)	1.5
Max. Rated Current	(mA)	80
Coil Resistance	(Ω)	6.5 \pm 1
Min. Sound Output	(dBA)	85 at 10cm
Frequency	(Hz)	2048
Operating Temperature	($^{\circ}$ C)	-20 ~ +60
Weight	(g)	2

Dimensions

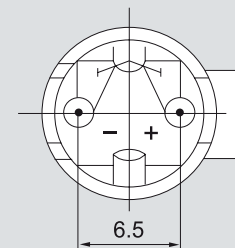
Top View



Side View



Bottom View



all dimensions are in mm

Frequency Response

