

External Drive Piezo Transducer

SGBD-78PZ22400



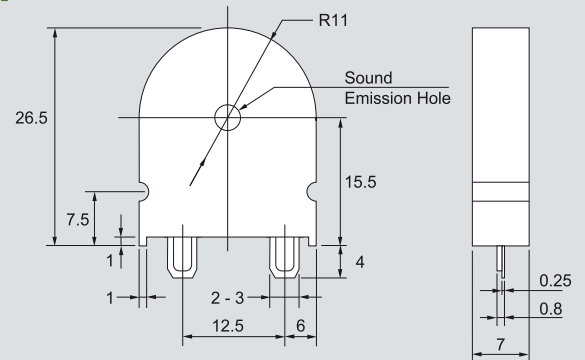
Electrical Specifications

| Model | 78PZ22400 | |
|-----------------------|--------------------|---|
| Min. Sound Output | (dB _A) | 80 min. (3V p-p / Square Wave / 10cm / 4000Hz) |
| Capacitance | (pF) | 15000 ± 30% at 120Hz |
| Max. Input Voltage | (V p-p) | 30 |
| Operating Temperature | (°C) | -20 ~ +70 |
| Weight | (g) | 2.5 |

Dimensions

Top View

Side View



Bottom View

all dimensions are in mm

Frequency Response

