

External Drive Piezo Transducer

SGBD-51PZ23500

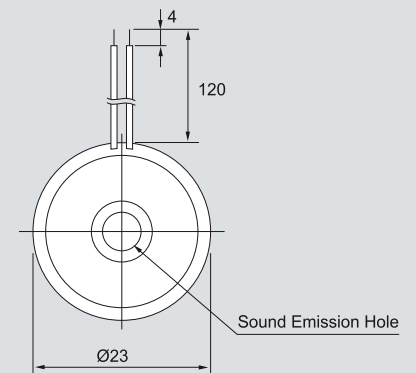


Electrical Specifications

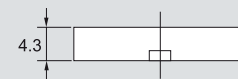
Model	51PZ23500	
Min. Sound Output (dB _A)		70 min. (12V p-p / Square Wave / 30cm / 5000Hz)
Capacitance (pF)		15000 ± 30% at 120Hz
Max. Input Voltage (V p-p)		40
Operating Temperature (°C)		-20 ~ +60
Weight (g)		2

Dimensions

Top View



Side View



all dimensions are in mm

Frequency Response

