

**External Drive
Piezo Transducer**

SGBD-50PZ23400

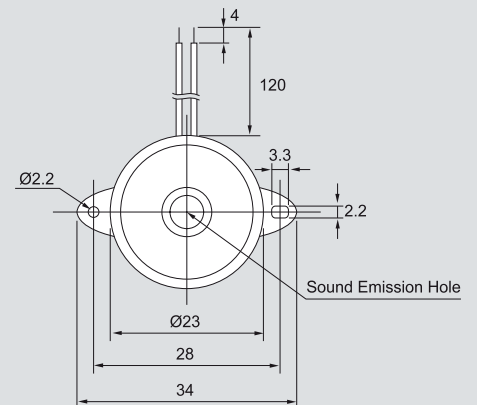


Electrical Specifications

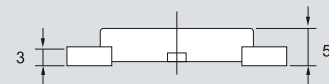
| Model | 50PZ23400 | |
|--------------------------------------|-----------|--|
| Min. Sound Output (dB _A) | | 80 min. (12V p-p / Square Wave / 30cm / 4000Hz) |
| Capacitance (pF) | | 24000 ± 30% at 120Hz |
| Max. Input Voltage (V p-p) | | 40 |
| Operating Temperature (°C) | | -20 ~ +60 |
| Weight (g) | | 2 |

Dimensions

Top View



Side View



all dimensions are in mm

Frequency Response

