

External Drive Piezo Transducer

SGBD-39PZ30350

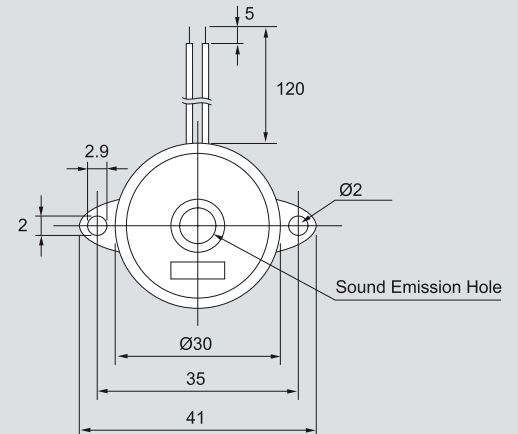


Electrical Specifications

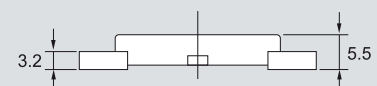
Model	39PZ30350	
Min. Sound Output	(dBA)	75 min. (3V p-p / Square Wave / 10cm / 3500Hz)
Capacitance	(pF)	25000 ± 30% at 120Hz
Max. Input Voltage	(V p-p)	30
Operating Temperature	(°C)	-20 ~ +60
Weight	(g)	3.5

Dimensions

Top View



Side View



all dimensions are in mm

Frequency Response

